



STEAM GENERATOR KOLUMBO 2WAY 220-230V 50/60Hz -GR- LWS (GUN

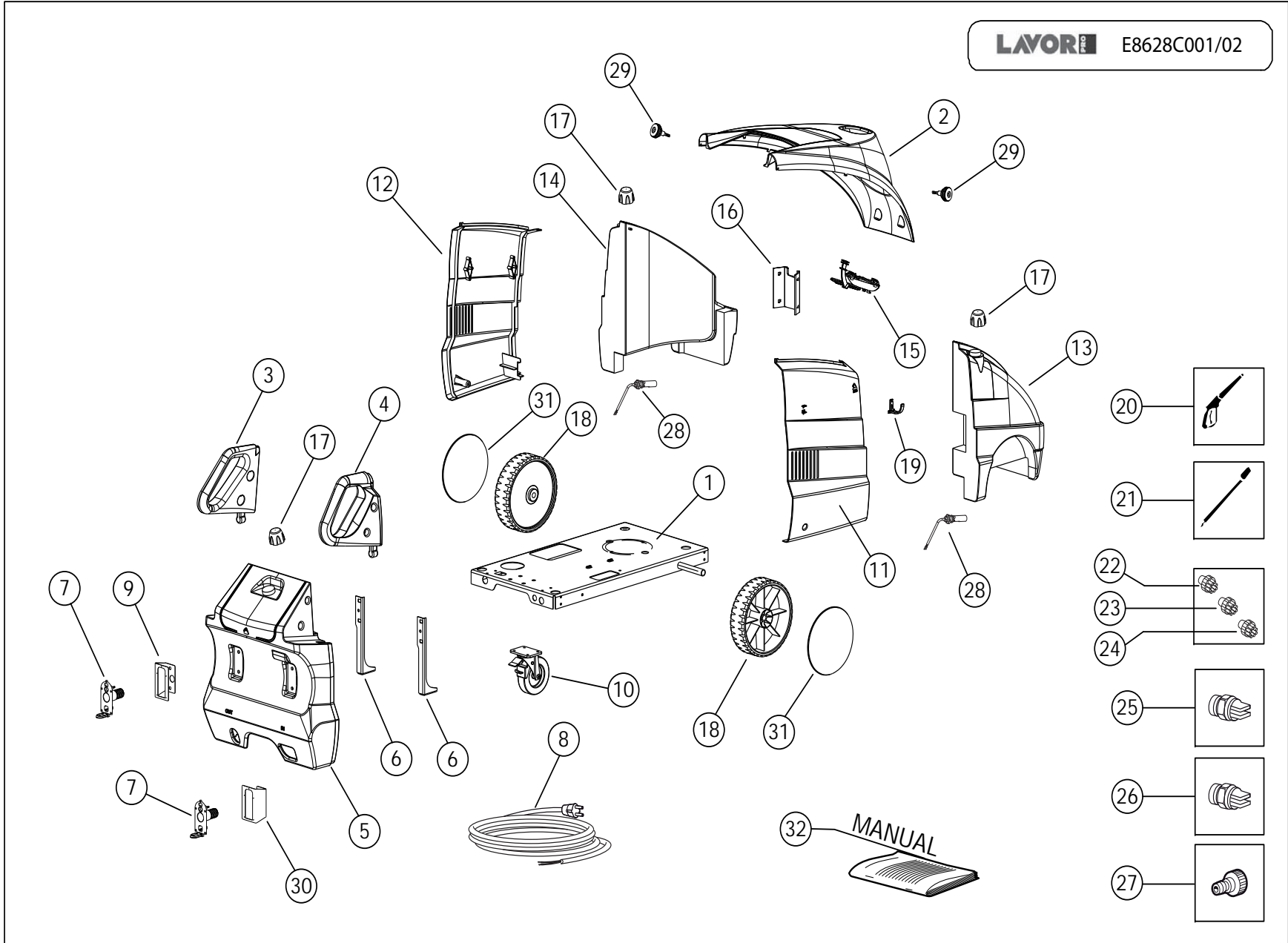
Content filters: validity 16/09/2017

16/09/2017

8.628.0017 - STEAM GENERATOR KOLUMBO 2WAY 220-230V 50/60Hz -GR- LWS (GUN.....	3
R64020085-1 - STEAM GUN '09 GV - 10 MT.....	4
R86280017-1 - CHASSIS.....	5
R8628I002-1 - BOILER.....	7
R8628X003-1 - COMPONENTS.....	10
Components index.....	13

Pos.	Code	Description
0	R64020085-1	STEAM GUN '09 GV - 10 MT
0	R86280017-1	CHASSIS
0	R8628I002-1	BOILER
0	R8628X003-1	COMPONENTS

Pos.	Code	Substituted by	Q.ty	Purchasable	Min. Q.ty	Price €	For mainten.	Description
001	6.405.0196		1	Yes	1	212.72		SPARE KIT STEAM GUN HANDLE GVVESUVIO
002	6.405.0190		1	Yes	1	84.05		STEAM GUN REPAIR KIT
003	3.749.0473		1	Yes	1	63.14		QUICK S/S BALL COUPLING F-1/4M26240060
004	6.405.0228		1	Yes	1	410	EXT	KIT HOSE 10m FOR STEAM GUN
005	6.405.0203		1	Yes	1	68.29	EXT	STEAM MALE JOINT SET
006	5.012.0230		1	Yes	3	5.05		SPARE KIT ORING + NUT FOR GV STEAM GUN



STEAM GENERATOR KOLUMBO 2WAY 220-230V 50/60Hz -GR- LWS (GUN - Content filters: validity 16/09/2017

Pos.	Code	Substituted by	Q.ty	Purchasable	Min. Q.ty	Price €	For mainten.	Description
001	5.613.0269		1	Yes	1	158.71		TEKNA '04 PAINTED FRAME C.W.ENGINE
002	4.613.0342		1	Yes	1	75.28		GREY COVER RAL 7046
003	4.608.0170		1	Yes	1	37.64		LEFT HANDLE
004	4.608.0169		1	Yes	1	30.45		RIGHT HANDLE
005	4.608.0171		1	No		280.4		WATER TANK FOR TEKNA4
006	4.607.0620		2	Yes	1	29.22		SUPPORT BRACKET FOR SOCKET
007	5.409.0245		2	Yes	1	129.69		COMPLETE STEAM SOCKET
008	4.012.0150		1	Yes	1	23.66		CABLE H05VV-F 3X1,5 MT.5,4 F/FSCHUKO PLUG
010	3.006.0070		1	Yes	1	65.99		CASTOR WHEEL D.150X40
011	5.611.0150		1	Yes	1	46.82		RIGHT SIDE
012	5.611.0149		1	Yes	1	42.18		LEFT SIDE
013	4.608.0172		1	Yes	1	126.07		RIGHT TANK
014	4.608.0173		1	No		120.46		LEFT TANK
015	5.611.0108		1	Yes	1	24.12		HINGE COVER
016	4.607.0270		1	Yes	5	3.52		TANK HANGER
017	4.608.0180		3	Yes	2	12.09		TANK CAP
018	3.006.0063	3.006.0165	2	Yes	1	27.5		BLACK WHEEL HOLE D.25
019	6.605.0087		1	Yes	2	8.76		KIT N.3 HOOKS WITH SCREWS
020	6.402.0085		2	Yes	1	1071.65	EXT	STEAM GUN WITH 10 MT. HOSE
021	6.402.0082		2	Yes	1	63.75	EXT	INCLINED LANCE L=202 WITHOUT NOZZLE
022	6.402.0045		2	Yes	2	11.6		NYLON BRISTLE BRUSH D.30
023	6.402.0048		2	Yes	2	11.6		BRASS BRISTLE BRUSH D.30
024	6.402.0047		2	Yes	2	11.6		S/S BRISTLE BRUSH D.30
026	4.407.0077		2	Yes	1	24.12		NOZZLE 2PCS 2,9mm
027	3.100.0082		1	Yes	12	1.25		QUICK COUPLING INLET CONNECTOR(THREAD=11.5)
028	3.403.0110		2	Yes	1	54.67	EXT	SENSOR FOR GAS-OIL LEVEL P520N+ CONNECTOR SUM.
029	3.002.0532		2	Yes	6	2.55		KNOB
030	4.607.0617		1	Yes	1	30.7		LEFT BRACKET FOR STEAM PLUG
031	3.099.0717		2	Yes	2	11.83		PAINTED WHEEL COVER SILVER
032	7.700.0359		1	Yes	4	4.59		INSTRUCTION MANUAL

STEAM GENERATOR KOLUMBO 2WAY 220-230V 50/60Hz -GR- LWS (GUN - Content filters: validity 16/09/2017

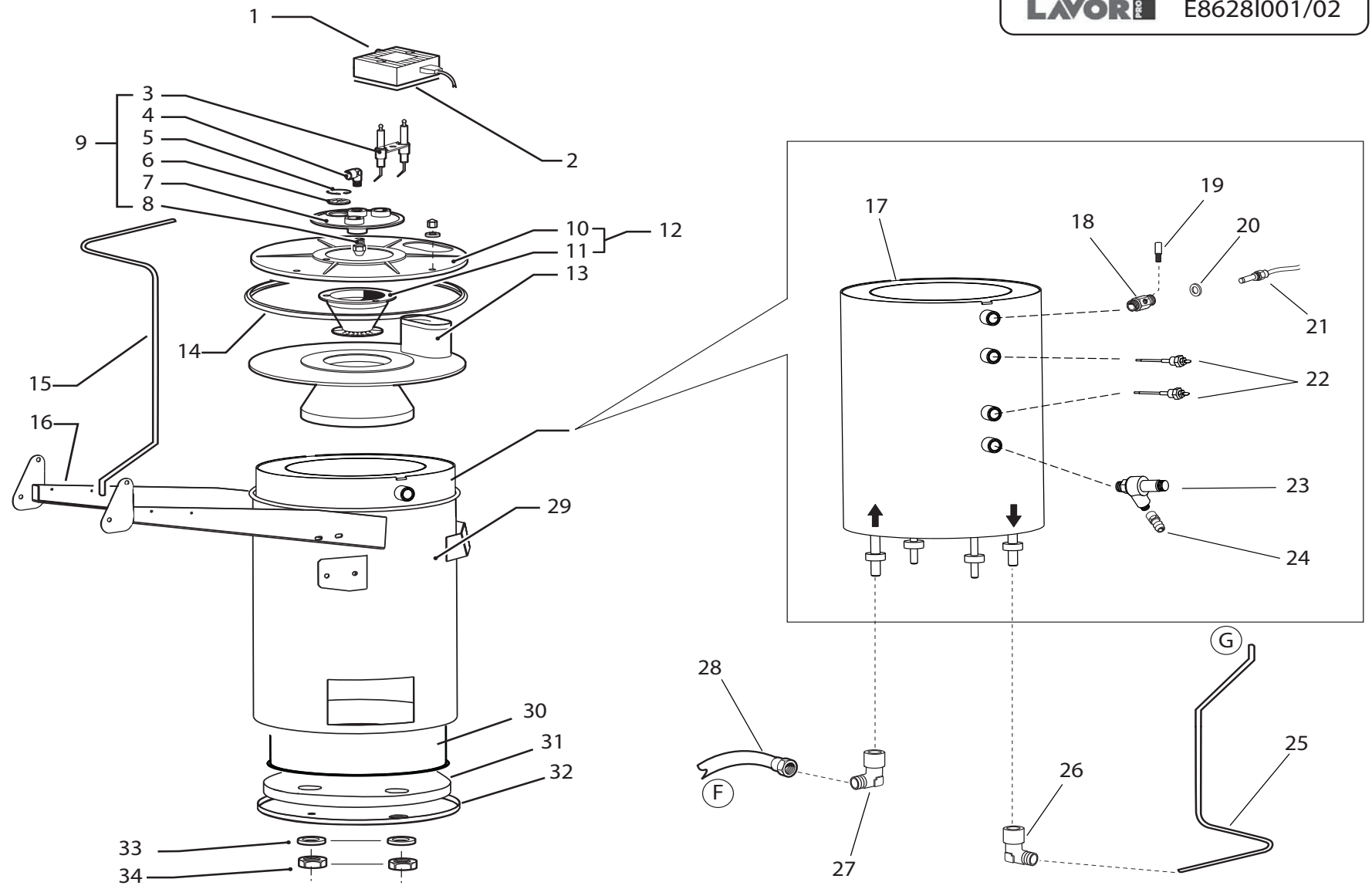


R86280017-1 - CHASSIS

Validity: from 12/06/2012 to 01/01/3000

16/09/2017

Page 6 / 14



STEAM GENERATOR KOLUMBO 2WAY 220-230V 50/60Hz -GR- LWS (GUN - Content filters: validity 16/09/2017

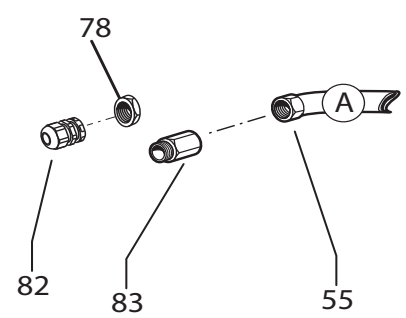
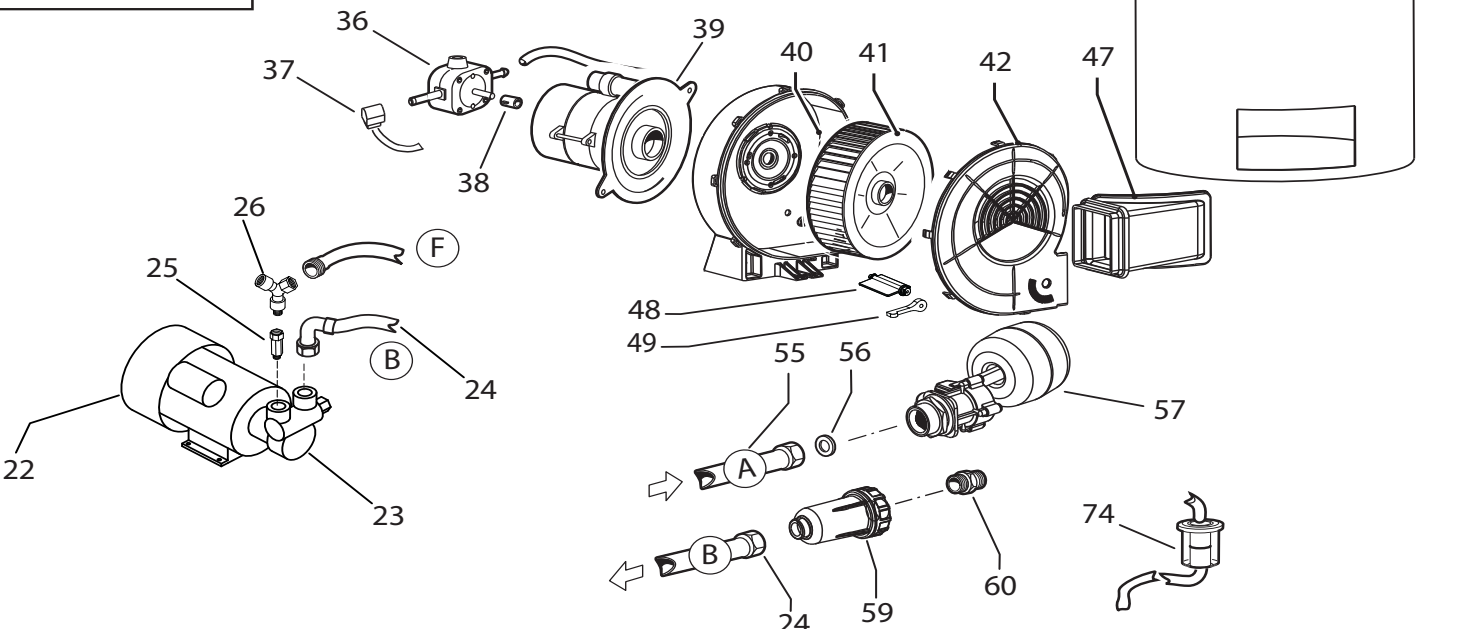
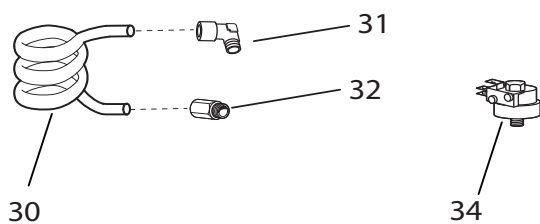
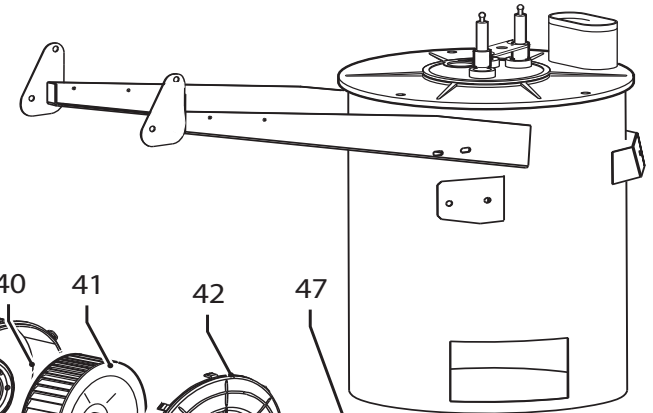
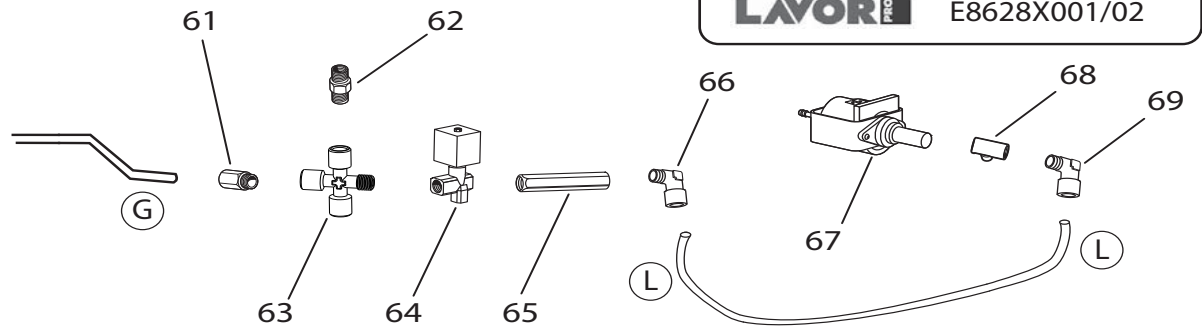
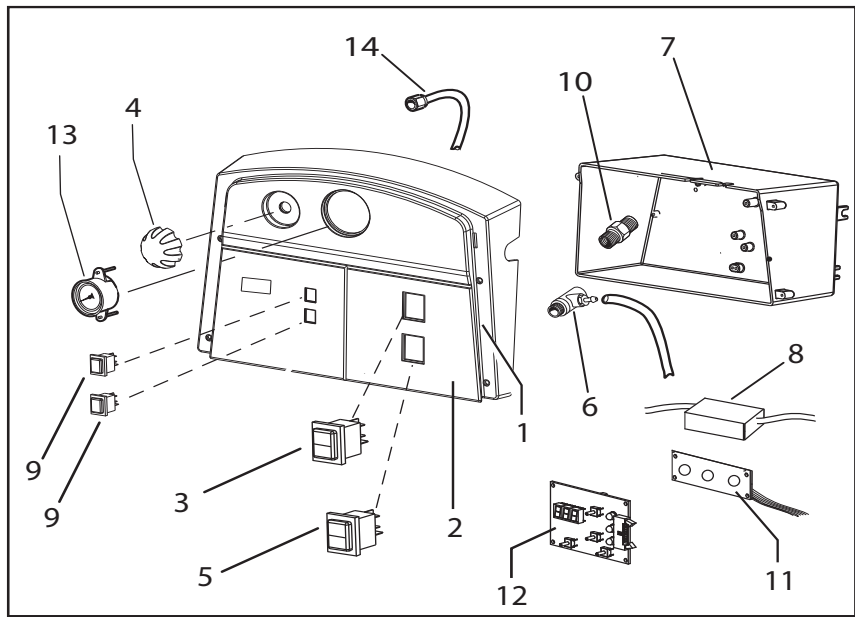
R8628I002-1 - BOILER

Validity: from 12/06/2012 to 01/01/3000

Pos.	Code	Substituted by	Q.ty	Purchasable	Min. Q.ty	Price €	For mainten.	Description
001	5.609.0126	5.609.0344	1	Yes	1	50	EXT	TRANSFORMER
002	4.608.0271		1	Yes	6	2.55		RUBBER SEAL FOR TRANSFORMER A.T.
003	4.614.0004		1	Yes	1	29.02	EXT	STANDARDIZED ELECTRODES COUPLEWITH ROD
004	3.100.0075		1	Yes	2	11.85		CONIC CONNECTION M 1/8 F D.4 CURVED FOR GASOIL HOSE VITON O-
005	3.099.0015		1	Yes	12	1.28		RING SEEGER I D.21 SP1 DIN 472
006	4.608.0002		1	Yes	12	1.28		SITE GLASS DIAM.20 SP.1,8
007	4.605.0045		1	Yes	1	23.66		WROUGHT BURNER FLANGE
008	3.104.0026		1	Yes	1	21.27	EXT	DIESEL FUEL NOZZLE 1,00 45/B
009	5.611.0167		1	Yes	1	96.14		COMPLETE BURNER FLANGE
010	5.613.0200		1	Yes	1	32.28		EXTERNAL COVER FOR INOX BOILER(TEKNA4)
011	5.610.0104		1	Yes	1	23.66		DEFLECTOR
012	5.611.0107		1	Yes	1	52.68		EXTERNAL COVER FOR BOILER WITH3mm OF THICKNESS
013	5.613.0056		1	Yes	1	97		INSIDE COVER FOR BOILER (FIREPLACE L=149)
014	3.099.0719		1	Yes	1	23.66		BAND TO FIXE BOILER COVER
015	4.608.0210		1	Yes	6	2.55		INLET HOSE DIESEL RILSAN
016	5.613.0181		1	Yes	1	117.1		SUPPORT PLATE FOR DASHBOARD AND TANK.
017	5.613.0305		1	Yes	1	1384.85		STEAM COIL
018	4.406.0066		1	Yes	1	45.49		T 1/4F-1/8F-3/8M CONNECTION
019	3.106.0028		1	Yes	2	11.93		1/8 M VACUUM-BREAKER VALVE
020	3.004.0138		1	Yes	12	1.28		COPPER WASHER 1/4 (3029215)
021	3.499.0201		1	Yes	1	156.47	EXT	THERMOCOUPLE PT100 L=1000mm
022	3.403.0202		2	Yes	1	132.4		LEVEL PROBE FOR BOILER L=10
023	3.106.0025		1	Yes	1	108.99		SAFETY VALVE G 3/8 12BAR
024	3.100.0397		1	Yes	3	5.7		RUBBER HOLDER 3/8 G M D.14 NICKEL-PLATED
025	4.616.0053		1	Yes	1	31.82		BURNT COPPER PIPE D.8X1 BOILER/SOLENOID VALVE
026	3.100.0199		1	Yes	3	5.2		ELBOW JOINT F. 1/4 COPPER
027	3.100.0028		1	Yes	1	23.65		ELBOW CONNECTOR M/F 1/4 OT
028	4.407.0017		1	Yes	1	52.63		PTFE/ST.STEEL PIPE DN.1/4 x700MF 1/4 (3035090)
029	5.613.0307		1	Yes	1	145.91		EXTERNAL WRAP FOR COMPLETE BOILER KOLUMBO
030	5.613.0308		1	Yes	1	92.67		INTERNAL WRAP FOR COMPLETE BOILER KOLUMBO
031	4.608.0202	4.608.0492	1	Yes	1	40		REFRACTORY D.296x20 TEKNA4

STEAM GENERATOR KOLUMBO 2WAY 220-230V 50/60Hz -GR- LWS (GUN - Content filters: validity 16/09/2017

Pos.	Code	Substituted by	Q.ty	Purchasable	Min. Q.ty	Price €	For mainten.	Description
032	4.608.0218		1	Yes	3	5.97		BOILER SPACER
033	3.004.0015		2	Yes	12	1.28		PLAIN WASHER D.22X39X2 UNI6592
034	4.606.0013		2	Yes	6	2.55		COIL FIXING NUT 1/2 BRASS SPEC.



STEAM GENERATOR KOLUMBO 2WAY 220-230V 50/60Hz -GR- LWS (GUN - Content filters: validity 16/09/2017

Pos.	Code	Substituted by	Q.ty	Purchasable	Min. Q.ty	Price €	For mainten.	Description
001	4.608.0370		1	Yes	1	18.92		DASHBOARD FOR KOLUMBO
002	7.701.2320		1	Yes	2	11.37		STICKER FOR KOLUMBO DASHBOARD164X60 3C
003	3.401.0177		1	Yes	3	5.97	EXT	SWITCH
004	3.099.0960		2	Yes	4	3.93		STEAM ADJUSTMENT KNOB (1 600360)
005	3.401.0178		1	Yes	3	5.56	EXT	SWITCH 0/1 BLACK BOTTON IP55 12/10
006	5.409.0168		2	Yes	1	38.56		STEAM REGULATOR 1/4 F-F
007	4.608.0168		1	Yes	1	21.42		ELECTRIC BOX NPX4/LKX4
008	3.499.0453		1	Yes	1	105.06		FEEDER 230V - 12V DC 1.5°
009	3.401.0037		2	Yes	6	2.55	EXT	THERMIC058446 BLACK SWITCH
010	5.409.0287		2	Yes	3	6.99		JOINT 1/4 M-M D.1,25
011	4.415.0021		1	No		42.02		SMALL CIRCUIT BOARD (TEMPERATURE INDICATOR DISPLAY)
012	4.415.0020	6.405.0242	1	Yes	1	240		CIRCUIT BOARD FOR BOILER
013	3.107.0024		1	Yes	1	51		STEAM GAUGE D.50 0/16 BAR 1/4M
014	4.407.0017		1	Yes	1	52.63		PTFE/ST.STEEL PIPE DN.1/4 x700MF 1/4 (3035090)
022	3.755.0052		1	Yes	1	196.73	EXT	WATER PUMP MOTOR 230V - 50/60HZ 300W
023	3.752.0136	3.752.0166	1	Yes	1	304.67	EXT	WATER PUMP 3/8G 200 l/h 15BAR
024	4.618.0161		1	Yes	1	36.77	EXT	LOW PRESSURE HOSE G3/4 90° - G3/4 90° L=310
025	3.106.0016		1	Yes	1	24.79	EXT	CHECK VALVE 1/4FF WITH SPRING(3020009)
026	3.100.0209		3	Yes	2	9.95		Y CONNECTION 1/4 MFF (3026261)
030	4.616.0017		1	Yes	1	27.18		COPPER HOSE
031	3.100.0156		1	Yes	4	4.45		CONNECTION L.MAX.1/4 RM6 ART.237 (3026023)
032	3.100.0158		1	Yes	4	4.3		STRAIGHT CONNECTION M.1/4 COPPER 6 (302 6035)
034	3.403.0230		1	Yes	1	201.76		PRESSURE SWITCH 4-15 BAR F 1/4G
036	3.551.0037		1	Yes	1	93.79		GAS.PUMP DOUBLE HOSES RX 230/50('06 VERS)BFA013L2 071N1221
037	3.414.0010		1	Yes	1	47.58		COIL 230/50Hz X DIESEL PUMP DANFOSS
038	3.099.0012	6.605.0173	1	Yes	1	29		GAS OIL PUMP PLASTIC COUPLING
039	3.300.0023		1	Yes	1	131.02		BURNER MOTOR W/OUT FLANGE
040	4.608.0186		1	Yes	1	27.03		BOILER MOTOR CONVEYOR
041	3.099.0722		1	Yes	1	23.66		FAN 160X60
042	4.608.0181		1	Yes	2	9.69		CONVEYOR COVER

STEAM GENERATOR KOLUMBO 2WAY 220-230V 50/60Hz -GR- LWS (GUN - Content filters: validity 16/09/2017

Pos.	Code	Substituted by	Q.ty	Purchasable	Min. Q.ty	Price €	For mainten.	Description
047	4.608.0183		1	Yes	1	26.06		GASKET
048	4.608.0021		1	Yes	6	2.55		SETTING THROTTLE GMV 150
049	4.608.0022		1	Yes	12	1.28		SETTING THROTTLE LEVER GMV 150
055	4.618.0092		1	Yes	1	31.94	EXT	HOSE L/P 3/4G-3/4G
056	3.004.0032		1	Yes	12	1.28		RUBBER WASHER
057	3.749.0458		1	Yes	1	20.5		VALVE 3/4M 29015008
059	3.102.0011		1	Yes	2	9.49	EXT	WATER FILTER 3/4F-3/4M 120 microns
060	3.100.0090		1	Yes	1	23.65		NIPPLE 3/4 -3/4
061	3.100.0165		2	Yes	3	7.3		COUPLING 1/4M D.8
062	4.006.0103		2	Yes	5	3.01		NIPPLE 1/4 M-1/4 M ES.CH.17 ESP.01
063	3.100.0180		1	Yes	2	12.15		CROSS CONNECTION 1/4 FFFM
064	3.412.0045		2	Yes	1	132.4		SOLENOID VALVE D.8 - 3/8 220V50/60Hz
065	4.406.0060		2	Yes	1	56.87		BRASS CONNECTION FOR THERMOCOUPLE PROBE
066	3.100.0348		2	Yes	2	11.8		CONNECTION 90° BRASS 1/8 G EPDM (E2004047E)
067	3.551.0036		2	Yes	1	27.58	EXT	DETERGENT PUMP ULKA
068	3.106.0019		2	Yes	1	24.79		BREATHER SS22 ULKA
074	5.611.0136		1	Yes	1	15.2	EXT	TEKNA 4 GAS OIL FILTER
078	3.406.0023		1	Yes	12	1.28		FIXING NUT FOR CABLE HOLDER PG16
082	3.406.0022		1	Yes	1	23.66		CABLE HOLDER PG16
083	4.606.0134		1	Yes	1	24.12		INLET COUPLING

Code	Parts Table	Pos.	Q.ty
3.002.0532	R86280017-1	029	2
3.004.0015	R8628I002-1	033	2
3.004.0032	R8628X003-1	056	1
3.004.0138	R8628I002-1	020	1
3.006.0063	R86280017-1	018	2
3.006.0070	R86280017-1	010	1
3.099.0012	R8628X003-1	038	1
3.099.0015	R8628I002-1	005	1
3.099.0717	R86280017-1	031	2
3.099.0719	R8628I002-1	014	1
3.099.0722	R8628X003-1	041	1
3.099.0960	R8628X003-1	004	2
3.100.0028	R8628I002-1	027	1
3.100.0075	R8628I002-1	004	1
3.100.0082	R86280017-1	027	1
3.100.0090	R8628X003-1	060	1
3.100.0156	R8628X003-1	031	1
3.100.0158	R8628X003-1	032	1
3.100.0165	R8628X003-1	061	2
3.100.0180	R8628X003-1	063	1
3.100.0199	R8628I002-1	026	1
3.100.0209	R8628X003-1	026	3
3.100.0348	R8628X003-1	066	2
3.100.0397	R8628I002-1	024	1
3.102.0011	R8628X003-1	059	1
3.104.0026	R8628I002-1	008	1
3.106.0016	R8628X003-1	025	1
3.106.0019	R8628X003-1	068	2
3.106.0025	R8628I002-1	023	1
3.106.0028	R8628I002-1	019	1
3.107.0024	R8628X003-1	013	1

Code	Parts Table	Pos.	Q.ty
3.300.0023	R8628X003-1	039	1
3.401.0037	R8628X003-1	009	2
3.401.0177	R8628X003-1	003	1
3.401.0178	R8628X003-1	005	1
3.403.0110	R86280017-1	028	2
3.403.0202	R8628I002-1	022	2
3.403.0230	R8628X003-1	034	1
3.406.0022	R8628X003-1	082	1
3.406.0023	R8628X003-1	078	1
3.412.0045	R8628X003-1	064	2
3.414.0010	R8628X003-1	037	1
3.499.0201	R8628I002-1	021	1
3.499.0453	R8628X003-1	008	1
3.551.0036	R8628X003-1	067	2
3.551.0037	R8628X003-1	036	1
3.749.0458	R8628X003-1	057	1
3.749.0473	R64020085-1	003	1
3.752.0136	R8628X003-1	023	1
3.755.0052	R8628X003-1	022	1
4.006.0103	R8628X003-1	062	2
4.012.0150	R86280017-1	008	1
4.406.0060	R8628X003-1	065	2
4.406.0066	R8628I002-1	018	1
4.407.0017	R8628I002-1	028	1
	R8628X003-1	014	1
4.407.0077	R86280017-1	026	2
4.415.0020	R8628X003-1	012	1
4.415.0021	R8628X003-1	011	1
4.605.0045	R8628I002-1	007	1
4.606.0013	R8628I002-1	034	2
4.606.0134	R8628X003-1	083	1

Code	Parts Table	Pos.	Q.ty
4.607.0270	R86280017-1	016	1
4.607.0617	R86280017-1	030	1
4.607.0620	R86280017-1	006	2
4.608.0002	R8628I002-1	006	1
4.608.0021	R8628X003-1	048	1
4.608.0022	R8628X003-1	049	1
4.608.0168	R8628X003-1	007	1
4.608.0169	R86280017-1	004	1
4.608.0170	R86280017-1	003	1
4.608.0171	R86280017-1	005	1
4.608.0172	R86280017-1	013	1
4.608.0173	R86280017-1	014	1
4.608.0180	R86280017-1	017	3
4.608.0181	R8628X003-1	042	1
4.608.0183	R8628X003-1	047	1
4.608.0186	R8628X003-1	040	1
4.608.0202	R8628I002-1	031	1
4.608.0210	R8628I002-1	015	1
4.608.0218	R8628I002-1	032	1
4.608.0271	R8628I002-1	002	1
4.608.0370	R8628X003-1	001	1
4.613.0342	R86280017-1	002	1
4.614.0004	R8628I002-1	003	1
4.616.0017	R8628X003-1	030	1
4.616.0053	R8628I002-1	025	1
4.618.0092	R8628X003-1	055	1
4.618.0161	R8628X003-1	024	1
5.012.0230	R64020085-1	006	1
5.409.0168	R8628X003-1	006	2
5.409.0245	R86280017-1	007	2
5.409.0287	R8628X003-1	010	2

Code	Parts Table	Pos.	Q.ty
5.609.0126	R8628I002-1	001	1
5.610.0104	R8628I002-1	011	1
5.611.0107	R8628I002-1	012	1
5.611.0108	R86280017-1	015	1
5.611.0136	R8628X003-1	074	1
5.611.0149	R86280017-1	012	1
5.611.0150	R86280017-1	011	1
5.611.0167	R8628I002-1	009	1
5.613.0056	R8628I002-1	013	1
5.613.0181	R8628I002-1	016	1
5.613.0200	R8628I002-1	010	1
5.613.0269	R86280017-1	001	1
5.613.0305	R8628I002-1	017	1
5.613.0307	R8628I002-1	029	1
5.613.0308	R8628I002-1	030	1
6.402.0045	R86280017-1	022	2
6.402.0047	R86280017-1	024	2
6.402.0048	R86280017-1	023	2
6.402.0082	R86280017-1	021	2
6.402.0085	R86280017-1	020	2
6.405.0190	R64020085-1	002	1
6.405.0196	R64020085-1	001	1
6.405.0203	R64020085-1	005	1
6.405.0228	R64020085-1	004	1
6.605.0087	R86280017-1	019	1
7.700.0359	R86280017-1	032	1
7.701.2320	R8628X003-1	002	1