



STEAM GENERATOR GV KATLA 220-240V/50HZ LAVOR PRO

Content filters: validity 16/09/2017

16/09/2017

This page is intentionally left blank.

8.453.0001 - STEAM GENERATOR GV KATLA 220-240V/50HZ LAVOR PRO.....	4
R54090256-1 - COMPLETE GUN ASSEMBLY.....	6
R84530001-1 - CHASSIS.....	8
R8453A001-1 - ACCESSORIES.....	12
Components index.....	14

8.453.0001 - STEAM GENERATOR GV KATLA 220-240V/50HZ LAVOR PRO

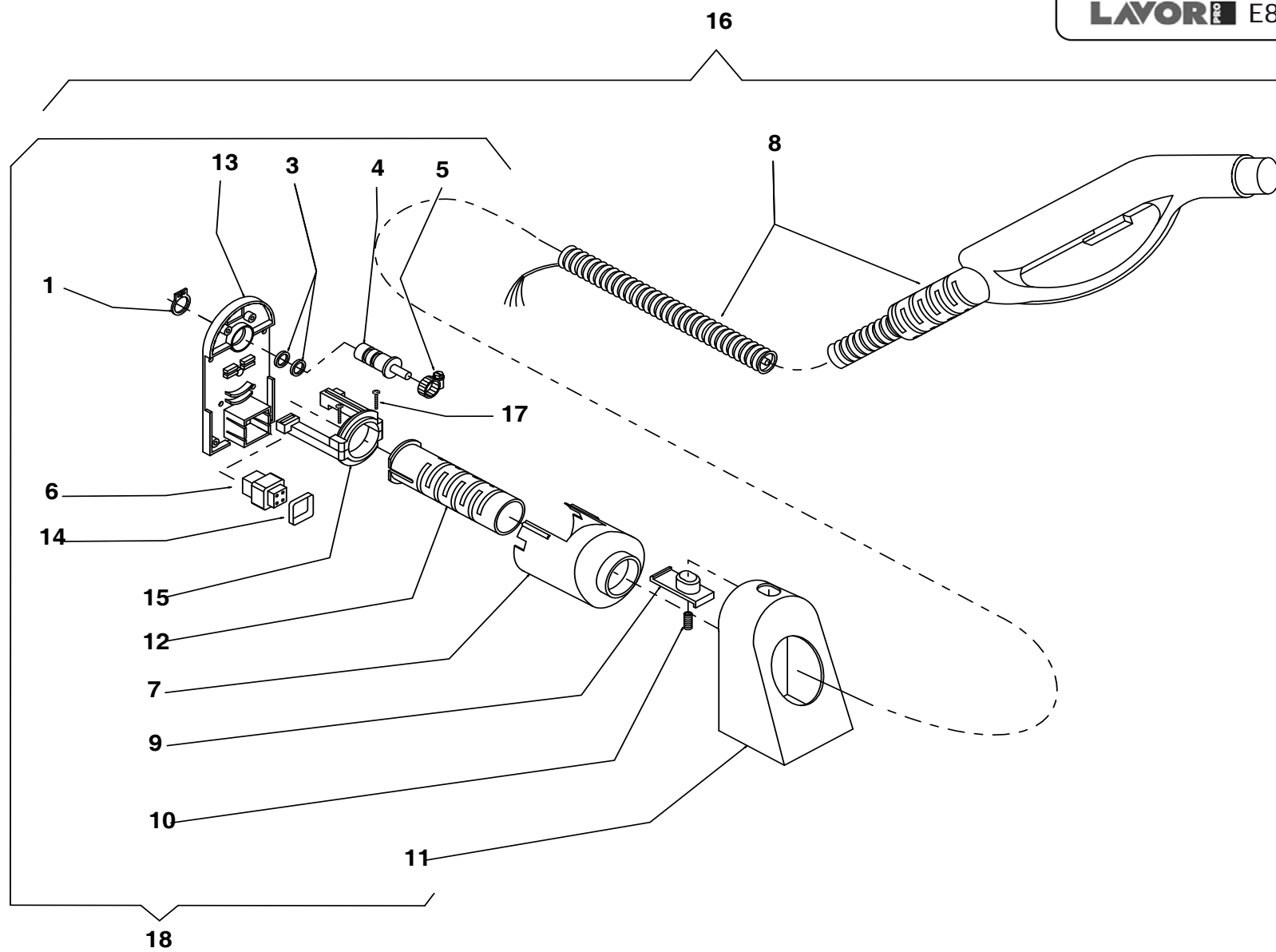
Validity: from 01/01/1900 to 01/01/9999

Pos.	Code	Description
0	R54090256-1	COMPLETE GUN ASSEMBLY
0	R84530001-1	CHASSIS
0	R8453A001-1	ACCESSORIES

R54090256-1 - COMPLETE GUN ASSEMBLY

Validity: from 12/04/2012 to 01/01/3000

LAVOR PRO E8450PI03/02

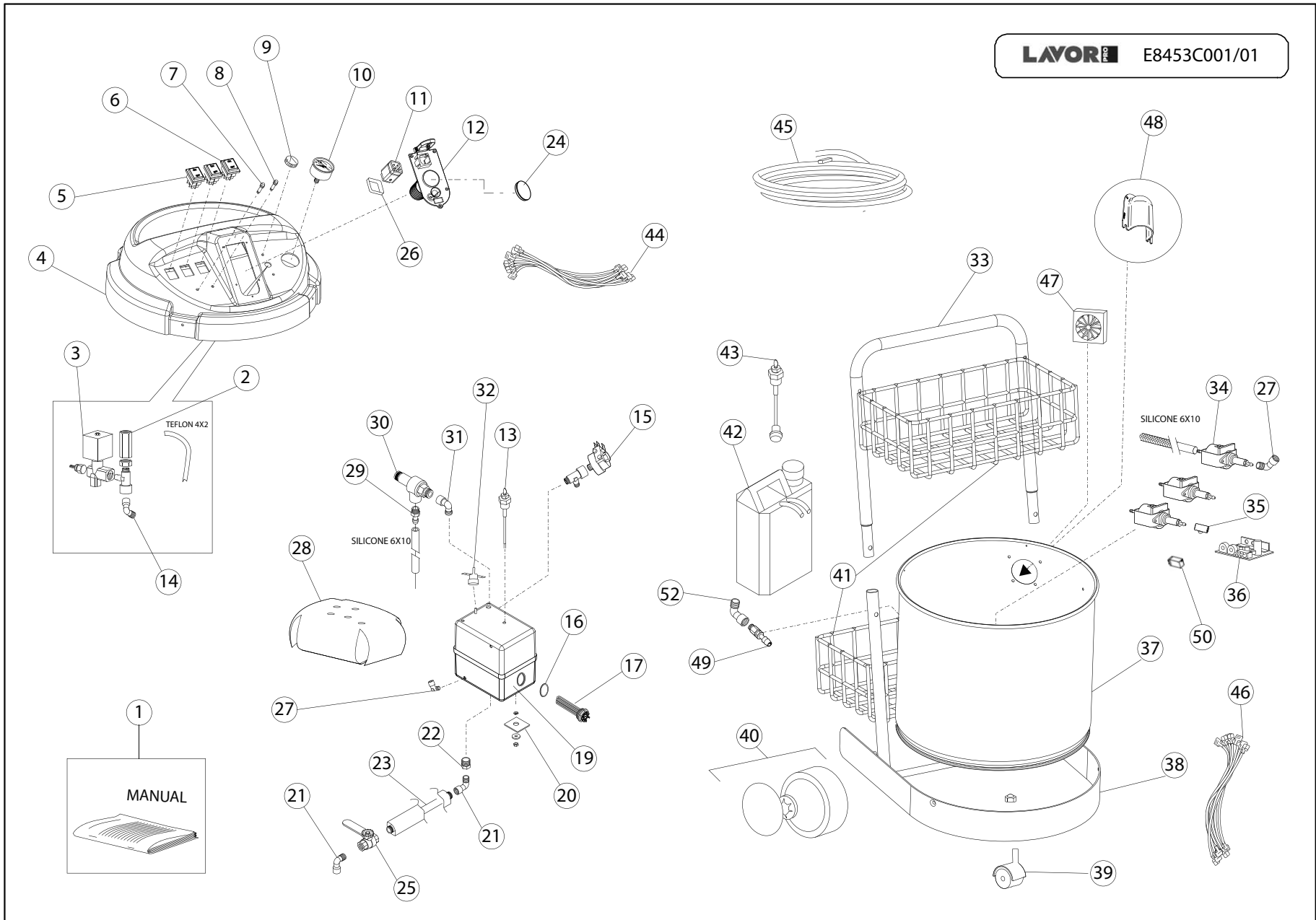


Pos.	Code	Substituted by	Q.ty	Purchasable	Min. Q.ty	Price €	For mainten.	Description
001	3.099.0984		1	Yes	12	1.28		SEEGER RING FOR SHAFT D.14 (3029462)
003	3.200.0179		2	Yes	12	1.28		O-RING WASHER 9.25x1.78 VITONX 6003 (3024239)
004	4.406.0016		1	Yes	1	23.66		BRASS NOZZLE (1603570)
006	3.405.0086		1	Yes	1	23.66		CORE OF ILME PLUG IRON-ARMS (3007003)
007	4.408.0256		1	Yes	2	8.98		STEAM JOINT FOR STEAM PLUG
008	3.753.0112		1	Yes	1	128.75		COMPLETE STEAM HANDLE WITH 3MTHOSE WITHOUT PLUG
009	4.408.0203		1	Yes	6	2.75		HOOK BUTTON (3001077)
010	4.407.0057		1	Yes	6	2.55		SPRING FOR BUTTON (3001084)
011	4.408.0201		1	Yes	4	3.93		CASING PLUG (3001074)
012	4.408.0048		1	Yes	3	5		CABLE
013	4.408.0232		1	No		10.97		STEAM PLUG
014	4.405.0018	4.408.0287	1	Yes	12	1.28		IRON FRAME 25x25 L=6mm
015	4.408.0255		2	Yes	5	3		INNER CASE HOLDER FOR PLUG
016	5.409.0256		1	Yes	1	165		COMPLETE GUN WITH 3MT HOSE
017	3.002.0699		2	Yes	12	1.28		SCREW 3,5X16 TC/TC INOX UNI 6954
018	5.409.0092		1	Yes	1	51.2	EXT	KIT STEAM PLUG

R84530001-1 - CHASSIS

Validity: from 12/04/2012 to 01/01/3000

LAVOR PRO E8453C001/01



Pos.	Code	Substituted by	Q.ty	Purchasable	Min. Q.ty	Price €	For mainten.	Description
001	7.400.0146		1	Yes	1			KATLA INSTRUCTION MANUAL
002	3.106.0016		1	Yes	1	24.79	EXT	CHECK VALVE 1/4FF WITH SPRING(3020009)
003	3.412.0030		1	Yes	1	135.15	EXT	SOLENOID VALVE
004	4.413.0055		1	Yes	1			COVER DISC GV KATLA -BLACK-
005	3.401.0052		1	Yes	4	4.69	EXT	DOUBLE-POLE SWITCH - RED
006	3.401.0112		1	Yes	3	7.09	EXT	BIPOLAR SWITCH 1-0-2 B419C11200+C BLACK
007	3.499.0390		1	Yes	6	2.5		WARNING LIGHT D.6 230V - ETNA
008	3.499.0391		1	Yes	3	5.5		WARNING LIGHT D.6 LED 12/24V -ETNA
009	3.099.0960		1	Yes	4	3.93		STEAM ADJUSTMENT KNOB (1 600360)
010	3.107.0015		1	Yes	1	32.33		FLANGED PRESSURE GAUGE D.40 0-10BAR WITH BRACKET AND NUTS
011	3.405.0085		1	Yes	1	23.66		CORE OF ILME PLUG IRON-ARMS (3007007)
012	6.405.0187		1	Yes	1	96.39	EXT	KIT SOCKET SPARE
013	5.409.0048		1	Yes	2	8.57		SENSON LEVEL ASS. + HOSES+ JOIN
014	3.100.0349		1	Yes	2	12.45		ELBOW JOINT 90° BRASS M1/4G FOR STEAM (RT69K1406V-ST)
015	3.403.0157		1	Yes	1	78.8		PRESSURE SWITCH 9 BAR
016	3.004.0184		1	Yes	1	38.4		COPPER WASHER
017	3.499.0477		1	Yes	1	189.11	EXT	RESISTANCE 3300W 230V SINGLE PHASE FOR GV 3,3 (R010569755)
019	5.409.0258		1	Yes	1	230		BOILER ASSEMBLY M 6-9BAR W/THREADED RESISTANCE
020	4.408.0189		6	Yes	12	1.28		INSULATING STRIP X 6018 35x30FORO D.10 (1600610)
021	3.100.0221		2	Yes	4	4.8		ELBOW 1/4 M - 1/4" F
022	3.100.0360		1	Yes	5	3		BRASS REDUCTION 3/8 M. CONIC 1/4F
023	4.407.0082		1	Yes	1	24.12		INOX HOSE 1/4 GAS
024	4.408.0254		1	Yes	3	5.76		CAP
025	3.099.1050		1	Yes	1	23.66		SPHERE VALVE
026	4.405.0018	4.408.0287	1	Yes	12	1.28		IRON FRAME 25x25 L=6mm
027	3.100.0348		5	Yes	2	11.8		CONNECTION 90° BRASS 1/8 G EPDM (E2004047E)
028	4.408.0369		1	Yes	1	64.57		INSULATING COVER FOR BOILERM 6-9BAR W/THREADED RESISTANCE
029	3.100.0416		1	Yes	2	8.25		SPROCKET 1/2 F BRASS (3026053)
030	3.106.0027		1	Yes	1	99.76		SAFETY VALVE G3/8 10,8bar -20/+200°C (D7/CS)
031	3.100.0033		1	Yes	2	11.85		ELBOW M/F 3/8 OT

STEAM GENERATOR GV KATLA 220-240V/50HZ LAVOR PRO - Content filters: validity 16/09/2017



R84530001-1 - CHASSIS

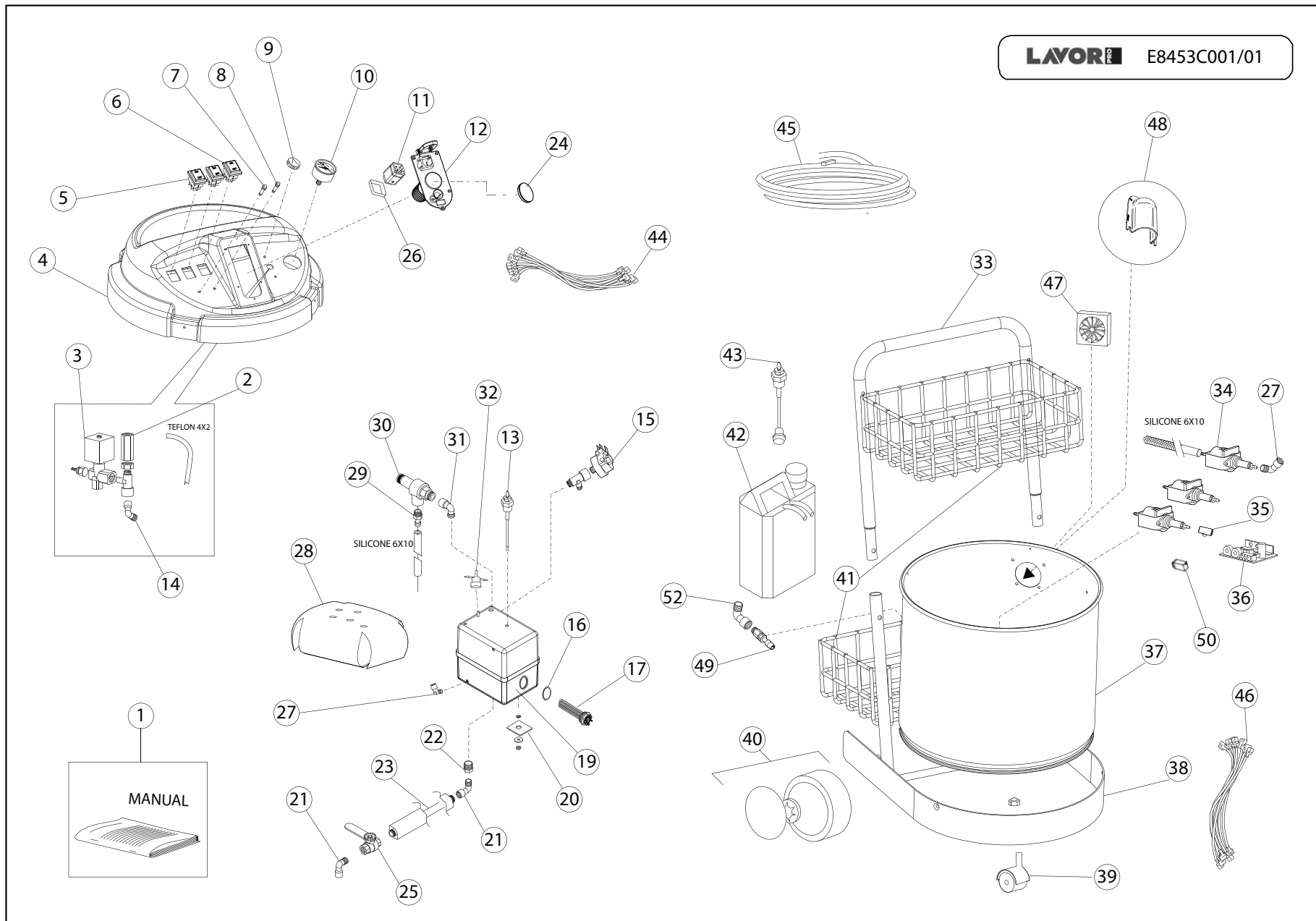
Validity: from 12/04/2012 to 01/01/3000

16/09/2017

Page 9 / 14

R84530001-1 - CHASSIS

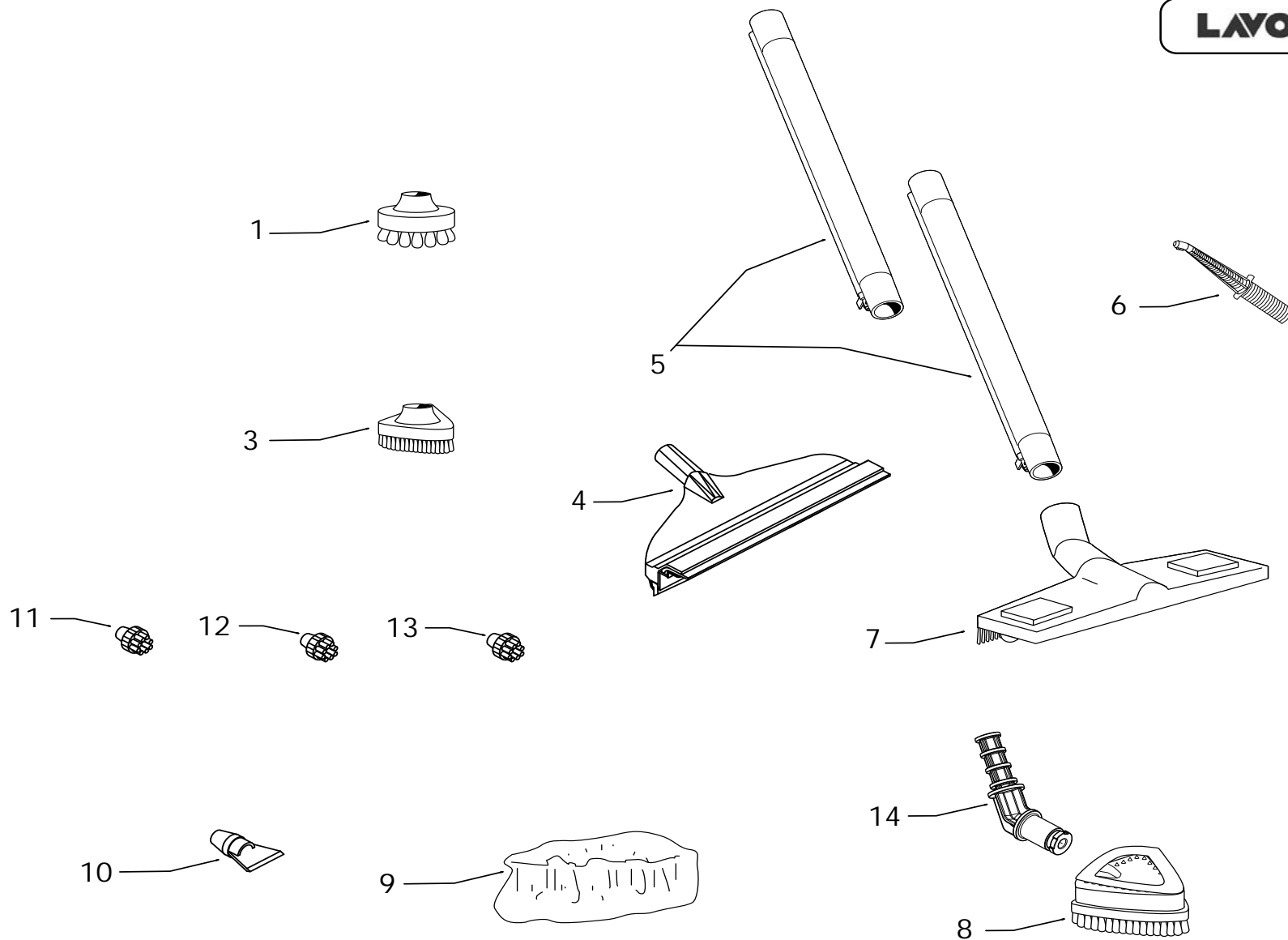
Validity: from 12/04/2012 to 01/01/3000



Pos.	Code	Substituted by	Q.ty	Purchasable	Min. Q.ty	Price €	For mainten.	Description
032	3.403.0131		1	Yes	2	11.27		THERMOSTAT WITH RESET WITH SCREW (3012015)
033	4.407.0167		1	Yes	1			HANDLE
034	3.551.0036		3	Yes	1	27.58	EXT	DETERGENT PUMP ULKA
035	3.106.0019		3	Yes	1	24.79		BREATHER SS22 ULKA
036	4.415.0023		1	Yes	1	105.06	EXT	CONTROL BOARD FOR BOILER GV ETNA/KATLA
037	3.751.0060		1	Yes	1			TANK
038	5.413.0030		1	Yes	1			SUPPORT FOR 5LT TANK
039	3.006.0058		1	Yes	2	11.83		WHEEL PIV. D.60 H82 M10x20 XECO VERSION (A122211TGN)
040	6.205.0069		1	Yes	1	23.2		KIT WHEELS FOR TAURUS/DOMUS/ZEUS/APOLLO
041	5.413.0027		2	Yes	1	84.51		SUPPORT FOR 5LT TANK
042	3.601.0070		1	Yes	1	22.75		PLASTIC TANK 5LT. 6003 (3043080)
043	3.403.0155		1	Yes	1	56.76		WATER LEVEL SENSOR
044	4.412.0107		1	Yes	1			COMPLETE CABLE FOR DASHBORAD KATLA 230 V
045	4.612.0052		1	Yes	1	23.66		CABLE H05VV-F 3X2.5 L.6000mmw/o PLUG
046	4.412.0102		1	Yes	1			COMPLETE CABLE FOR KATLA 230 V
047	3.099.1592		1	Yes	1	62.53		FAN 60X60X25 230V AC
048	4.508.1082		1	Yes	2	11.95		FILTER SUPPORT
049	3.100.0211		4	No		5.55		STRAIGHT CONNECTION 1/4 F SPROCKET D.7 BRASS
050	3.402.0063		1	Yes	1	36.77	EXT	RELAY 12V 16A
052	3.100.0186		4	No		5.9		COUPLING 1/4 D.6 L ROUND BLACKPLASTIC (3026263)

R8453A001-1 - ACCESSORIES

Validity: from 12/04/2012 to 01/01/3000



Pos.	Code	Substituted by	Q.ty	Purchasable	Min. Q.ty	Price €	For mainten.	Description
001	3.754.0234		1	Yes	2	9.3		NYLON BRISTLES BRUSH D.50
003	6.402.0096		1	Yes	2	10.3		TRIANGULAR BRUSH
004	3.754.0235		1	Yes	1	30.9		STEAM GLASS WIPER
005	3.753.0111		2	Yes	1	20.6		STEAM EXTENSION PIPE
006	3.754.0230		1	Yes	2	12.4		TURBO LANCE WITH NOZZLE
007	3.754.0228		1	Yes	1	41.2		RECTANGULAR BRUSH
008	3.754.0229		1	Yes	1	28.35		TRIANGULAR BRUSH
009	3.099.0126		1	Yes	2	11.83		TOWEL WIPE FOR INDUSTRIAL USE(22x22cm.with elastic band)
010	6.402.0095		1	Yes	3	5.8		BLACK PLASTIC SCRAPER L.50
011	3.754.0231	6.405.0240	1	Yes	1	34.22		NYLON BRISTLES BRUSH D.28
012	3.754.0232	6.405.0240	1	Yes	1	34.22		BRASS BRISTLES BRUSH D.28
013	3.754.0233	6.405.0240	1	Yes	1	34.22		STEEL BRISTLES BRUSH D.28
014	3.754.0250		1	Yes	2	8.8		ELBOW JOINT FOR TRIANGULAR/RECTANGULAR BRUSH

Components index

Code	Parts Table	Pos.	Q.ty
3.002.0699	R54090256-1	017	2
3.004.0184	R84530001-1	016	1
3.006.0058	R84530001-1	039	1
3.099.0126	R8453A001-1	009	1
3.099.0960	R84530001-1	009	1
3.099.0984	R54090256-1	001	1
3.099.1050	R84530001-1	025	1
3.099.1592	R84530001-1	047	1
3.100.0033	R84530001-1	031	1
3.100.0186	R84530001-1	052	4
3.100.0211	R84530001-1	049	4
3.100.0221	R84530001-1	021	2
3.100.0348	R84530001-1	027	5
3.100.0349	R84530001-1	014	1
3.100.0360	R84530001-1	022	1
3.100.0416	R84530001-1	029	1
3.106.0016	R84530001-1	002	1
3.106.0019	R84530001-1	035	3
3.106.0027	R84530001-1	030	1
3.107.0015	R84530001-1	010	1
3.200.0179	R54090256-1	003	2
3.401.0052	R84530001-1	005	1
3.401.0112	R84530001-1	006	1
3.402.0063	R84530001-1	050	1
3.403.0131	R84530001-1	032	1
3.403.0155	R84530001-1	043	1
3.403.0157	R84530001-1	015	1
3.405.0085	R84530001-1	011	1
3.405.0086	R54090256-1	006	1
3.412.0030	R84530001-1	003	1
3.499.0390	R84530001-1	007	1

Code	Parts Table	Pos.	Q.ty
3.499.0391	R84530001-1	008	1
3.499.0477	R84530001-1	017	1
3.551.0036	R84530001-1	034	3
3.601.0070	R84530001-1	042	1
3.751.0060	R84530001-1	037	1
3.753.0111	R8453A001-1	005	2
3.753.0112	R54090256-1	008	1
3.754.0228	R8453A001-1	007	1
3.754.0229	R8453A001-1	008	1
3.754.0230	R8453A001-1	006	1
3.754.0231	R8453A001-1	011	1
3.754.0232	R8453A001-1	012	1
3.754.0233	R8453A001-1	013	1
3.754.0234	R8453A001-1	001	1
3.754.0235	R8453A001-1	004	1
3.754.0250	R8453A001-1	014	1
4.405.0018	R54090256-1	014	1
	R84530001-1	026	1
4.406.0016	R54090256-1	004	1
4.407.0057	R54090256-1	010	1
4.407.0082	R84530001-1	023	1
4.407.0167	R84530001-1	033	1
4.408.0048	R54090256-1	012	1
4.408.0189	R84530001-1	020	6
4.408.0201	R54090256-1	011	1
4.408.0203	R54090256-1	009	1
4.408.0232	R54090256-1	013	1
4.408.0254	R84530001-1	024	1
4.408.0255	R54090256-1	015	2
4.408.0256	R54090256-1	007	1
4.408.0369	R84530001-1	028	1

Code	Parts Table	Pos.	Q.ty
4.412.0102	R84530001-1	046	1
4.412.0107	R84530001-1	044	1
4.413.0055	R84530001-1	004	1
4.415.0023	R84530001-1	036	1
4.508.1082	R84530001-1	048	1
4.612.0052	R84530001-1	045	1
5.409.0048	R84530001-1	013	1
5.409.0092	R54090256-1	018	1
5.409.0256	R54090256-1	016	1
5.409.0258	R84530001-1	019	1
5.413.0027	R84530001-1	041	2
5.413.0030	R84530001-1	038	1
6.205.0069	R84530001-1	040	1
6.402.0095	R8453A001-1	010	1
6.402.0096	R8453A001-1	003	1
6.405.0187	R84530001-1	012	1
7.400.0146	R84530001-1	001	1