



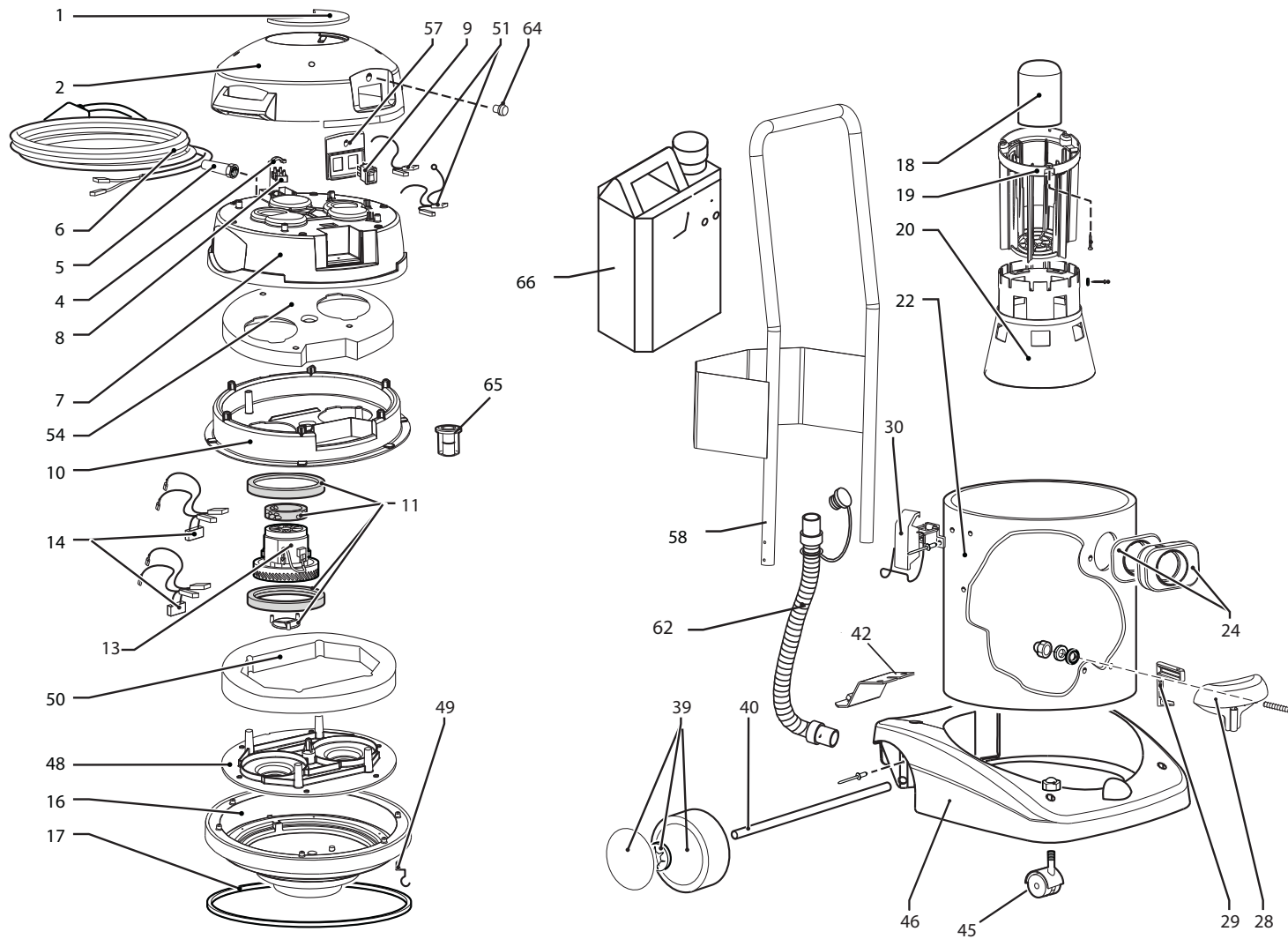
VACUUM CLEANER SOLARIS IF-03 230V/50HZ EU LAVOR PRO

Content filters: validity 14/09/2017

14/09/2017

8.221.0508 - VACUUM CLEANER SOLARIS IF-03 230V/50HZ EU LAVOR PRO.....	3
R82210508-2 - VACUUM CLEANER.....	4
R8221A003-2 - ACCESSORIES.....	7
R8221A003-3 - ACCESSORIES.....	9
R8221P001-3 - GRUPPO POMPE COSTELLATION.....	10
Components index.....	12

Pos.	Code	Description
0	R82210508-2	VACUUM CLEANER
0	R8221A003-2	ACCESSORIES
0	R8221A003-3	ACCESSORIES
0	R8221P001-3	GRUPPO POMPE COSTELLATION



Pos.	Code	Substituted by	Q.ty	Purchasable	Min. Q.ty	Price €	For mainten.	Description
001	4.208.0283		1	Yes	5	3.37		HANDLE FOR VACUUM CLEANER '03(DARK GREY RAL.7016)
002	4.208.0303		1	Yes	1	24.12		GREY HEAD FOR DOMUS-TAURUS (FOR COSTELLATION)
004	4.008.0277		1	Yes	12	1.28		FIX PAD CABLE HOLDER
005	3.406.0031		1	Yes	6	2.55		CABLE HOLDER 60X12X15.5 EPDM BLACK
006	4.012.0179		1	Yes	1	26.21		CABLE H05VV-F 2X1.5 MT.7 F/F SP.SCHUKO
007	4.208.0401		1	Yes	1	24.12		UNDER COVER
008	3.405.0055		1	Yes	2	11.83		JUNCTION-BOX 4MMQ. 110 12 380V
009	3.401.0109		2	Yes	3	6.63	EXT	DOUBLE BLACK SWITCH WITH PROTECTION
010	4.208.0244		1	Yes	1	24.12		UPPER SEPARATOR BETWEEN MOTORS
011	6.205.0108		1	Yes	1	26.1	EXT	SPONGE KIT
013	3.755.0069		2	Yes	1	56.39	EXT	UNIVERSAL MOTOR 230-240V-/50-60HZ
014	4.212.0003		2	Yes	3	5.92		CABLE 0.75 L=480
016	4.208.0293		1	Yes	1	24.12		MOTOR BASE x PROF.VACUUM CLEA.'03 (DARK GREY RAL.7016)
017	4.215.0013	6.205.0070	1	Yes	1	58.5		GASKET 410X445 EPDM 45 SH FORDOMUS - TAURUS
018	4.208.0096		1	Yes	3	5.25	EXT	FLOATING FOR DOMUS-TAURUS
019	4.208.0075		1	Yes	1	24.12		BASKET FOR PROFESSIONAL VACUUMCLEANER
020	4.208.0076		1	Yes	1	24.12		CONE
022	3.751.0016		1	Yes	1	87.21		INOX DRUM DOMUS/TAURUS
024	6.205.0071		1	Yes	1	23.2		KIT GASKET+PIPE UNION FOR PROFESSIONAL VACCUM
028	4.208.0098		1	Yes	3	6.94		FRONT HANDLE FOR BODY DOMUS TAURUS
029	4.208.0099		1	Yes	6	2.55		LEVER
030	3.099.0454		2	Yes	3	5	EXT	HOOK 2.05/621 ZNT FOR BODY TAURUS '03
039	6.205.0069		2	Yes	1	23.2		KIT WHEELS FOR TAURUS/DOMUS/ZEUS/APOLLO
040	4.207.0005		1	Yes	5	3.72		WHEELS AXLE FOR ZEUS-DOMUS-TAURUS D.15 L.490
041	4.207.0023		1	Yes	1	23.66		DRILLED INFERIOR TUBULAR FOR COSTELLATION
042	4.207.0029		1	Yes	1	34.58		BRACKET
044	3.006.0049		2	Yes	1	15.96		WHEEL DIAM. 250X55 HOLE 20 (L.WASH)
045	3.006.0058		3	Yes	2	11.83		WHEEL PIV. D.60 H82 M10x20 XECO VERSION (A122211TGN)
046	4.208.0287		2	Yes	1	45.08		DOMUS-TAURUS BASE'03 (DARK GREY) RAL 7016
048	4.208.0087		1	Yes	1	30.09		LOWER SPACER VACUUM CLEANER PROF.'03-2 MOTORS
049	5.213.0001		1	Yes	2	11.83		ANTISTATIC PLATE

VACUUM CLEANER SOLARIS IF-03 230V/50HZ EU LAVOR PRO - Content filters: validity 14/09/2017



R82210508-2 - VACUUM CLEANER

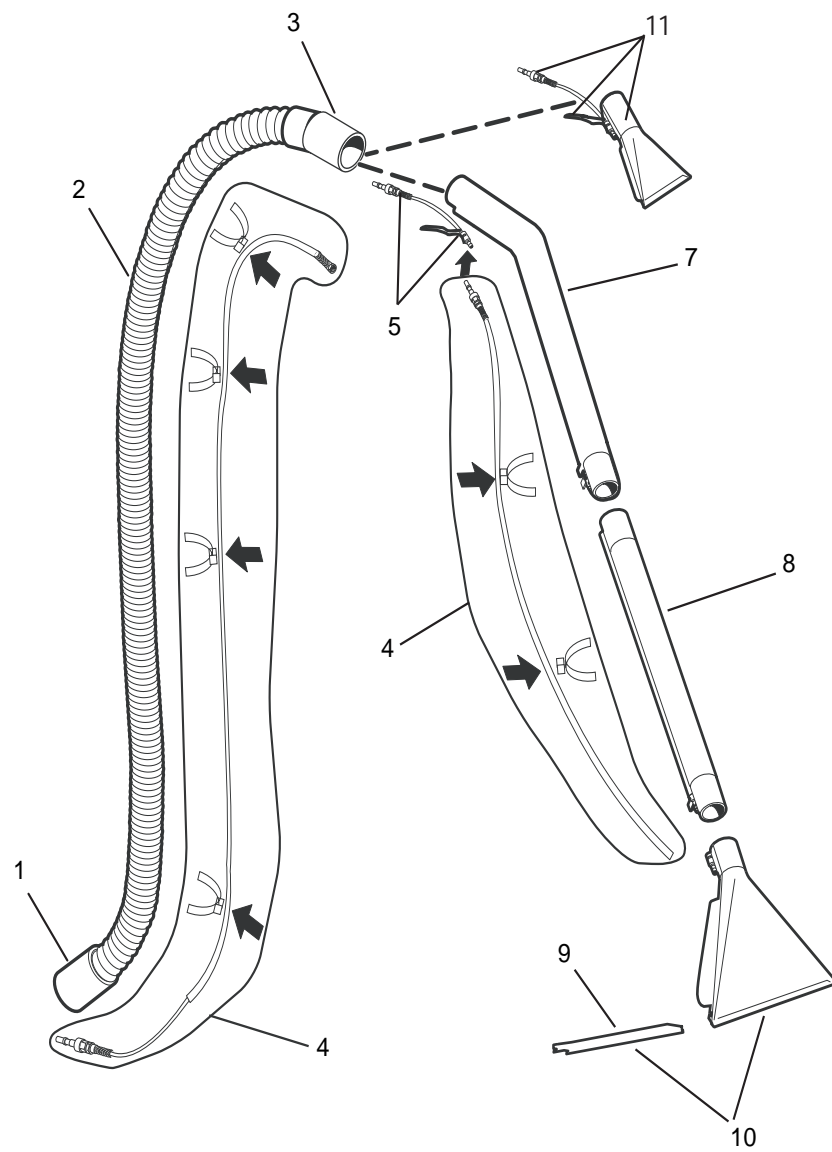
Validity: from 01/05/2009 to 01/01/3000

14/09/2017

Page 5 / 12

Pos.	Code	Substituted by	Q.ty	Purchasable	Min. Q.ty	Price €	For mainten.	Description
050	4.215.0126		1	Yes	1	18.41		SPONGE mm80x25x1250 PPI 60 -AU-
051	4.212.0033		1	Yes	1			CABLE 0,75 F/F-F/M 300mm
054	4.215.0097		1	Yes	2	11.83		SPONGE HLC 24 AU SP.60 D.340mm
057	4.208.0242		1	Yes	5	3.26		BLACK SWITCH HOLDER WITH HOLEFOR COSTELLATION
058	4.208.0132		1	Yes	6	2.65		HANDLE FOR DRUM (ZEUS-DOMUS- TAURUS).
060	3.099.0841		2	Yes	12	1.28		COVER FOR WHEEL D.250x55 (DARKGREY RAL.7016) (PANT.425C)
061	4.208.0093		1	Yes	6	2.55		HANDLE LOCKING LEVER -R- RAL-3020
062	6.205.0075		1	Yes	1	35.2		KIT OUTLET PIPE mt.0.68
064	5.009.0293		1	Yes	2	11.27	EXT	RED BACKLIGHTED SWITCH WITH PROTECTOR
065	6.205.0053		1	Yes	3	5.75		KIT SUCTION WATER FILTER + PLASTIC CONNECTION
066	3.601.0073		1	Yes	1	35.7		TANK
067	4.008.0095		1	Yes	3	6.12		BLACK DETERGENT TANK CAP WITHHOLE D.9

Exploded drawing E8221A001/02

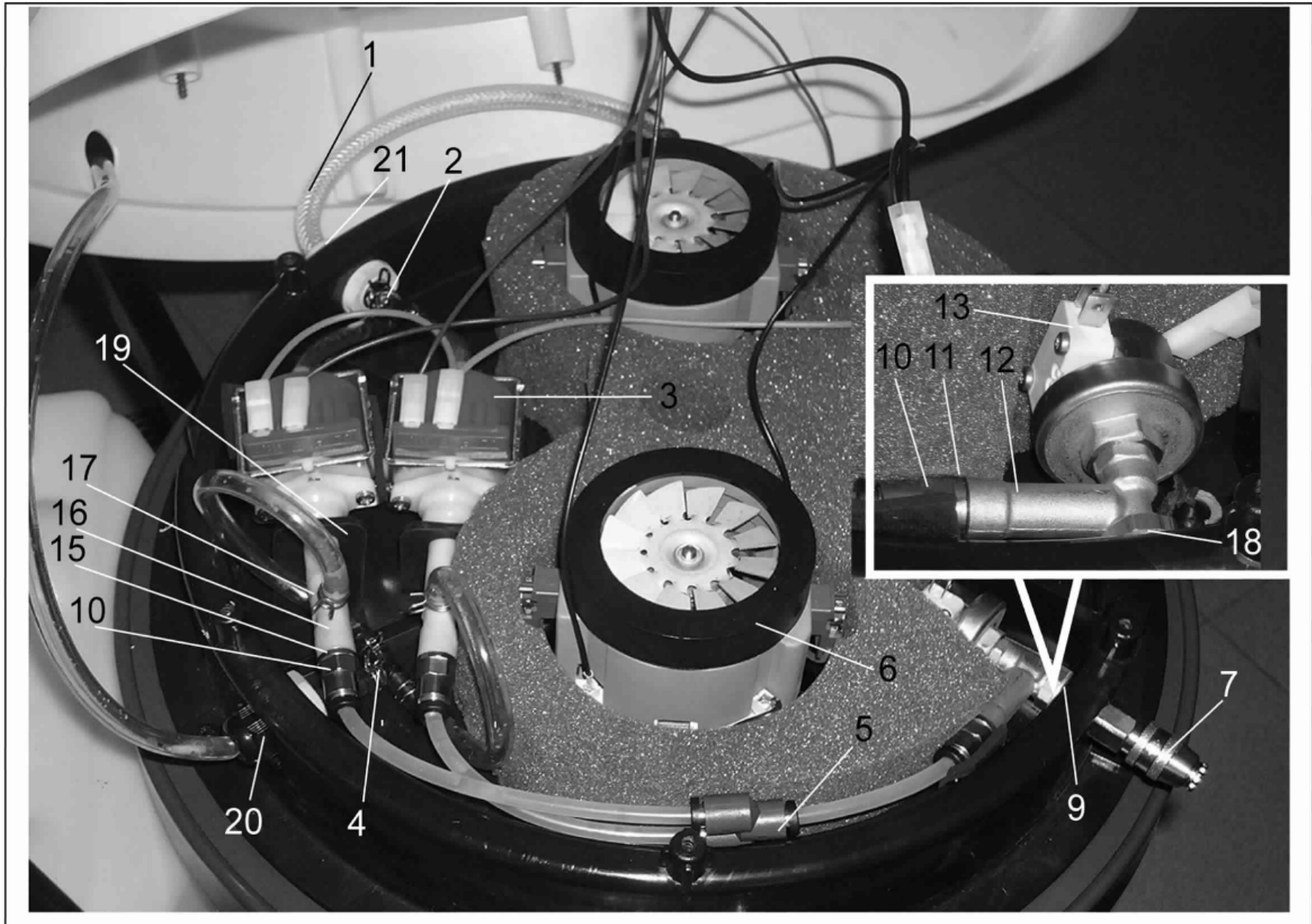


VACUUM CLEANER SOLARIS IF-03 230V/50HZ EU LAVOR PRO - Content filters: validity 14/09/2017

R8221A003-2 - ACCESSORIES

Validity: from 01/05/2009 to 01/01/3000

Pos.	Code	Substituted by	Q.ty	Purchasable	Min. Q.ty	Price €	For mainten.	Description
001	3.754.0047		1	Yes	6	2.5		COUPLING FOR FLEX HOSE (TANK SIDE) D. 40
002	5.209.0021		1	Yes	1	22.55	EXT	COMPLETE FLEXIBLE HOSE MT. 2.5D.40
003	3.754.0046		1	Yes	6	2.5		COUPLING FOR FLEX HOSE (ACCESSORY SIDE) D.40
004	5.211.0059		1	Yes	1	80		CARPET ACCESSORY
005	3.752.0213	5.211.0076	1	Yes	1	28.41		TAP
007	3.753.0019		1	Yes	2	13.1		STEEL CURVED HOSE D. 38.2
008	3.753.0020		1	Yes	2	13.1		STEEL HOSE D. 38.2
009	5.211.0024		1	Yes	2	10.4		ACCESSORY FOR LIQUID WITH RUBBERS
010	5.209.0142		1	Yes	1	44		INJECTION/EXTRACTION LARGE CARPET TOOL
011	5.209.0143		1	Yes	1	42.2		SMALL INJ./EXTR. NOZZLE



VACUUM CLEANER SOLARIS IF-03 230V/50HZ EU LAVOR PRO - Content filters: validity 14/09/2017

R8221P001-3 - GRUPPO POMPE COSTELLATION

Validity: from 01/05/2009 to 01/01/3000

Pos.	Code	Substituted by	Q.ty	Purchasable	Min. Q.ty	Price €	For mainten.	Description
001	4.008.0555		1	Yes	5	3.06		TRANSPARENT HOSE
003	3.752.0054		2	Yes	1	27.34		PUMP ULKA 48W EP7 230/50
004	3.100.0101		1	Yes	6	2.5		UNION TEE
005	3.100.0135		1	Yes	2	8.85		Y CONNECTIO FOR HOSE O.6
006	3.755.0069		2	Yes	1	56.39	EXT	UNIVERSAL MOTOR 230-240V-/-50-60HZ
007	3.752.0216		1	Yes	1	22.85		CONNECTION 1/4F
009	4.206.0002		1	Yes	3	5.81		BRASS COUPLING
010	3.100.0134		3	Yes	2	11.85		CONNECTION D.6X1/8"M
011	3.200.0100		3	Yes	12	1.28		O-RING 5X25
012	4.006.0254		1	Yes	4	4.74		BY-PASS DIESEL VALVE
013	3.403.0081		1	Yes	1	20.5		PRESSURE SWITCH
016	3.106.0009		2	Yes	2	12.39		GREEN DEAERATOR
017	3.200.0021		2	Yes	12	1.28		OR GASKET 6,75x1,78 RIF.106
018	3.200.0043		4	Yes	12	1.28		OR 6.07X1.78 REF.2025 LUBR.(MOLIKOTE/SILICONE)
019	4.208.0313		4	Yes	3	5.25		L ANTIVIBRATION DEVICE FOR ULKA/CEME DETERG. PUMP PVC 70sh
020	3.406.0020		1	Yes	6	2.55		TIGHT ANTI-TEARING CABLE HOLDER PG.13,5
021	3.406.0004		1	Yes	12	1.28		CABLE TERMINAL PG.11

Code	Parts Table	Pos.	Q.ty
3.006.0049	R82210508-2	044	2
3.006.0058	R82210508-2	045	3
3.099.0454	R82210508-2	030	2
3.099.0841	R82210508-2	060	2
3.100.0101	R8221P001-3	004	1
3.100.0134	R8221P001-3	010	3
3.100.0135	R8221P001-3	005	1
3.106.0009	R8221P001-3	016	2
3.200.0021	R8221P001-3	017	2
3.200.0043	R8221P001-3	018	4
3.200.0100	R8221P001-3	011	3
3.401.0109	R82210508-2	009	2
3.403.0081	R8221P001-3	013	1
3.405.0055	R82210508-2	008	1
3.406.0004	R8221P001-3	021	1
3.406.0020	R8221P001-3	020	1
3.406.0031	R82210508-2	005	1
3.601.0073	R82210508-2	066	1
3.751.0016	R82210508-2	022	1
3.752.0054	R8221P001-3	003	2
3.752.0213	R8221A003-2	005	1
3.752.0216	R8221P001-3	007	1
3.753.0019	R8221A003-2	007	1
3.753.0020	R8221A003-2	008	1
3.754.0046	R8221A003-2	003	1
3.754.0047	R8221A003-2	001	1
3.755.0069	R82210508-2	013	2
	R8221P001-3	006	2
4.006.0254	R8221P001-3	012	1
4.008.0095	R82210508-2	067	1
4.008.0277	R82210508-2	004	1

Code	Parts Table	Pos.	Q.ty
4.008.0555	R8221P001-3	001	1
4.012.0179	R82210508-2	006	1
4.206.0002	R8221P001-3	009	1
4.207.0005	R82210508-2	040	1
4.207.0023	R82210508-2	041	1
4.207.0029	R82210508-2	042	1
4.208.0075	R82210508-2	019	1
4.208.0076	R82210508-2	020	1
4.208.0087	R82210508-2	048	1
4.208.0093	R82210508-2	061	1
4.208.0096	R82210508-2	018	1
4.208.0098	R82210508-2	028	1
4.208.0099	R82210508-2	029	1
4.208.0132	R82210508-2	058	1
4.208.0242	R82210508-2	057	1
4.208.0244	R82210508-2	010	1
4.208.0283	R82210508-2	001	1
4.208.0287	R82210508-2	046	2
4.208.0293	R82210508-2	016	1
4.208.0303	R82210508-2	002	1
4.208.0313	R8221P001-3	019	4
4.208.0401	R82210508-2	007	1
4.212.0003	R82210508-2	014	2
4.212.0033	R82210508-2	051	1
4.215.0013	R82210508-2	017	1
4.215.0097	R82210508-2	054	1
4.215.0126	R82210508-2	050	1
5.009.0293	R82210508-2	064	1
5.209.0021	R8221A003-2	002	1
5.209.0142	R8221A003-2	010	1
5.209.0143	R8221A003-2	011	1

Code	Parts Table	Pos.	Q.ty
5.211.0024	R8221A003-2	009	1
5.211.0059	R8221A003-2	004	1
5.213.0001	R82210508-2	049	1
6.205.0053	R82210508-2	065	1
6.205.0069	R82210508-2	039	2
6.205.0071	R82210508-2	024	1
6.205.0075	R82210508-2	062	1
6.205.0108	R82210508-2	011	1