



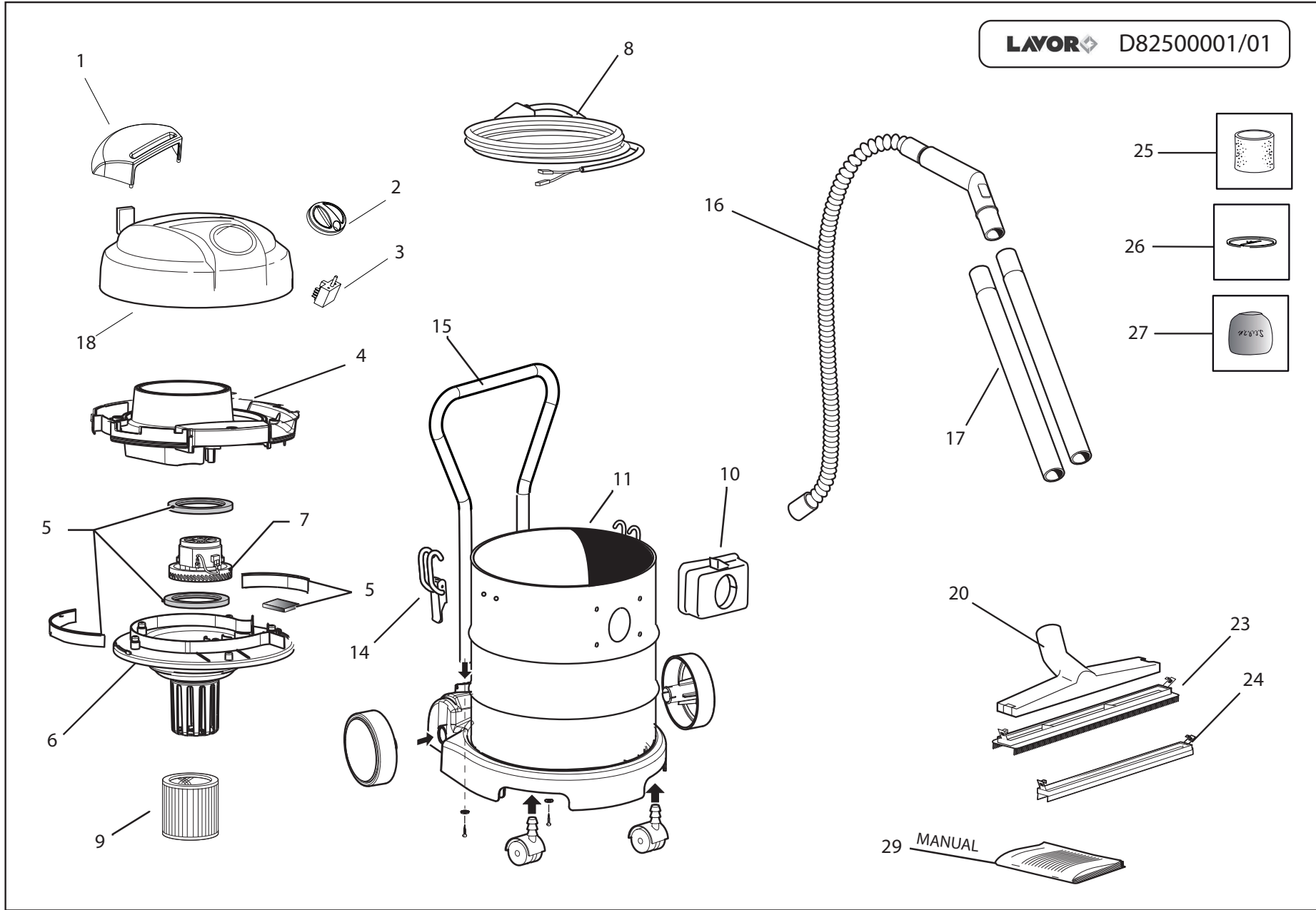
WET & DRY VACUUM CLEANER WINDY130 IF 220-240/50-60 EU LAVOR

Content filters: validity 14/09/2017

14/09/2017

8.250.0001 - WET & DRY VACUUM CLEANER WINDY130 IF 220-240/50-60 EU LAVOR.....	3
R82500001 - WINDY 130 IF WET&DRY 220-240/50-60 EU.....	4
R52120150 - CORREDO WINDY 120/150.....	6
Components index.....	8

Pos.	Code	Description
0	R82500001	WINDY 130 IF WET&DRY 220-240/50-60 EU



WET & DRY VACUUM CLEANER WINDY130 IF 220-240/50-60 EU LAVOR - Content filters: validity 14/09/2017

R8250001 - WINDY 130 IF WET&DRY 220-240/50-60 EU

Validity: from 11/11/2015 to 31/12/9999

Pos.	Code	Substituted by	Q.ty	Purchasable	Min. Q.ty	Price €	For mainten.	Description
0	R52120150		1	No				CORREDO WINDY 120/150
001	4.208.0680		1	Yes	3	5		HANDLE VACUUM CLEANER P82.0487
002	4.208.0639		1	Yes	6	2.5		RED KNOB FOR SWITCH (SILENT)
003	3.401.0225		1	Yes	3	5		ROTARY SWITCH TWO GEARS BIPOLAR 16A (0-1) W/PIN 15
004	4.208.0692		1	Yes	2			CONVOGLIATORE ARIA ASPIRATORE NERO X WINDY 120/130
005	6.205.0192		1	Yes	3		EXT	KIT SPUGNE/GUARNIZIONI X WINDY 120/130
006	5.211.0109		1	Yes	2			CALOTTA INFERIORE COMPLETA C/GALLEGG. X P82.0369 GR.CHIARO RAL.7046
007	3.755.0098		1	Yes	1	32.96	EXT	SINGLE STAGE MOTOR BY PASS 230/50Hz 1200W W/CABLE L=300mm
008	4.012.0221		1	Yes	1	23.97		ELECTRIC CABLE H05VV-F 2X0,75MT.7,5 SHUKO PLUG WATERPROOF F
009	3.752.0196		1	Yes	2	13.16	ORD	WASHABLE CARTRIDGE FILTER
010	3.752.0075		1	Yes	2	8.52		COMPLETE HOSE CONNECTION D.40
011	5.209.0216		1	Yes	1	44		FUSTO WINDY 130 C/BASE PORTA ACCESSORI
014	3.099.0454		2	Yes	3	5	EXT	HOOK 2.05/621 ZNT FOR BODY TAURUS '03
015	5.213.0015		1	Yes	1	25		MANICO X CARRELLO WINDY 130 C/INSERTI FILETTATI M8
016	5.209.0077		1	Yes	1	22.55	EXT	FLEX 2,5 D.35 COMPLETE
017	3.753.0009	6.205.0109	2	Yes	2	11.6		STEEL PIPE D.35 L=491
018	4.208.0677		1	Yes	1	15		COVER FOR WINDY IF 135 W/ROTARY SWITCH (P82.0487)
020	3.754.0168		1	Yes	3	7.4		BODY BRUSH D.35 L=300 (SP.)
023	3.754.0169		1	Yes	4	4.55		FLOOR BRUSH
024	3.754.0170		1	Yes	5	3.25		WET TOOL 300 mm
026	4.208.0359		1	Yes	6	2.55		LOCKING DISC FOR VACUUM FILTER
029	7.300.0541		1	Yes	1			MANUALE WINDY 120/130 IF + CE LWS A5 20L 50F

WET & DRY VACUUM CLEANER WINDY130 IF 220-240/50-60 EU LAVOR - Content filters: validity 14/09/2017

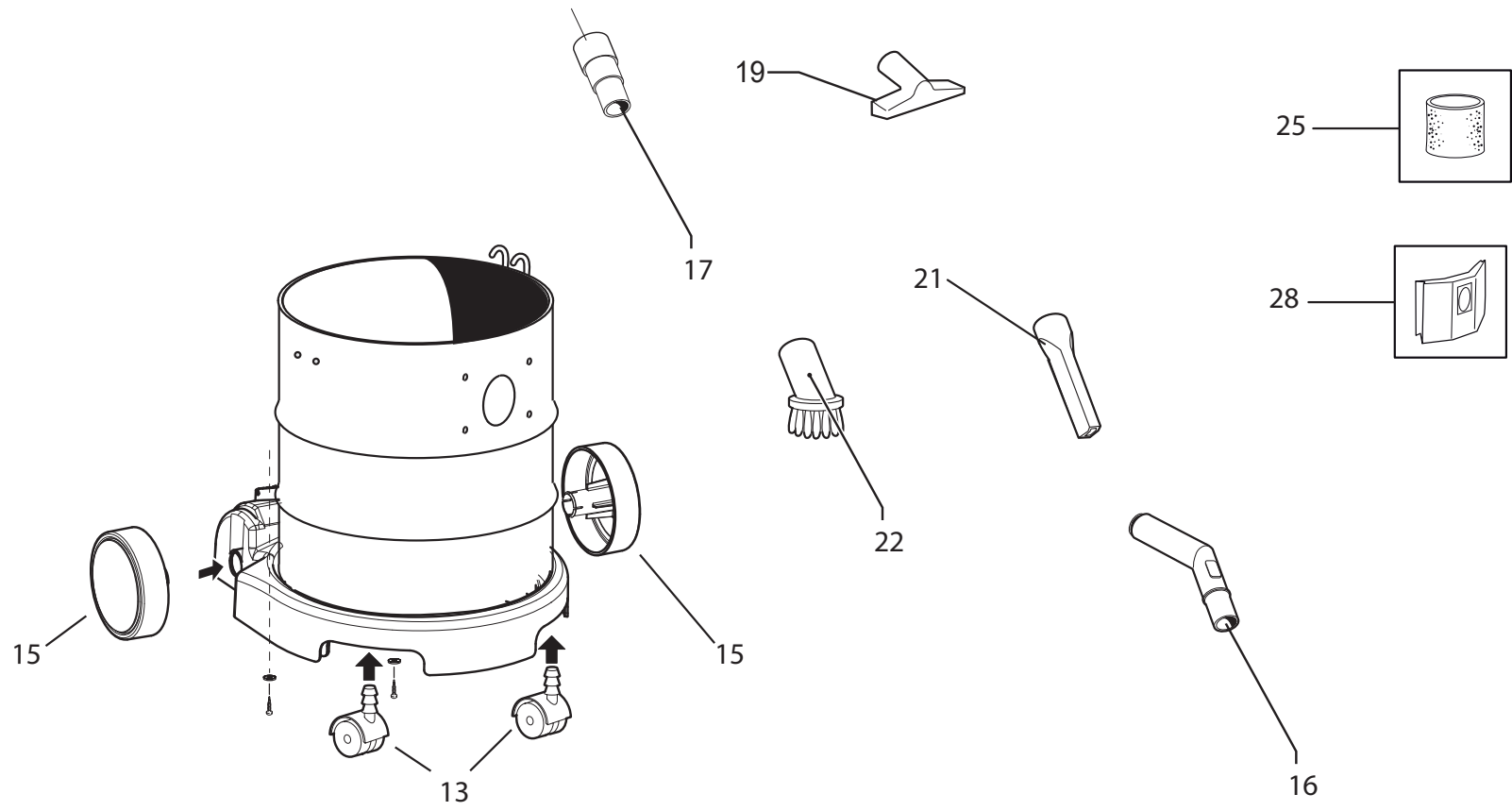


R82500001 - WINDY 130 IF WET&DRY 220-240/50-60 EU

Validity: from 11/11/2015 to 31/12/9999

14/09/2017

Page 5 / 8



Pos.	Code	Substituted by	Q.ty	Purchasable	Min. Q.ty	Price €	For mainten.	Description
013	3.754.0017		2	Yes	12	1.25		REVOLVING TWINS WHEELS REIFORCED D.50
015	4.208.0661		2	Yes	3	5		BLACK WHEEL FOR SILENT
019	3.754.0004		1	Yes	6	2.5		TOOL D.35 (00100003)
021	3.754.0005		1	Yes	6	2.5	EXT	LANCE D.35
022	3.754.0015		1	Yes	6	2.5		PLASTIC BRUSH D.35
025	3.752.0175	5.212.0030	1	Yes	3	5.65	ORD	FOAM FILTER X GT
028	3.752.0114	5.212.0022	1	Yes	1	26	ORD	FILTER COLLECTIVE 64X30X15 WITH VALVE D.56

Code	Parts Table	Pos.	Q.ty
3.099.0454	R82500001	014	2
3.401.0225	R82500001	003	1
3.752.0075	R82500001	010	1
3.752.0114	R52120150	028	1
3.752.0175	R52120150	025	1
3.752.0196	R82500001	009	1
3.753.0009	R82500001	017	2
3.754.0004	R52120150	019	1
3.754.0005	R52120150	021	1
3.754.0015	R52120150	022	1
3.754.0017	R52120150	013	2
3.754.0168	R82500001	020	1
3.754.0169	R82500001	023	1
3.754.0170	R82500001	024	1
3.755.0098	R82500001	007	1
4.012.0221	R82500001	008	1
4.208.0359	R82500001	026	1
4.208.0639	R82500001	002	1
4.208.0661	R52120150	015	2
4.208.0677	R82500001	018	1
4.208.0680	R82500001	001	1
4.208.0692	R82500001	004	1
5.209.0077	R82500001	016	1
5.209.0216	R82500001	011	1
5.211.0109	R82500001	006	1
5.213.0015	R82500001	015	1
6.205.0192	R82500001	005	1
7.300.0541	R82500001	029	1