



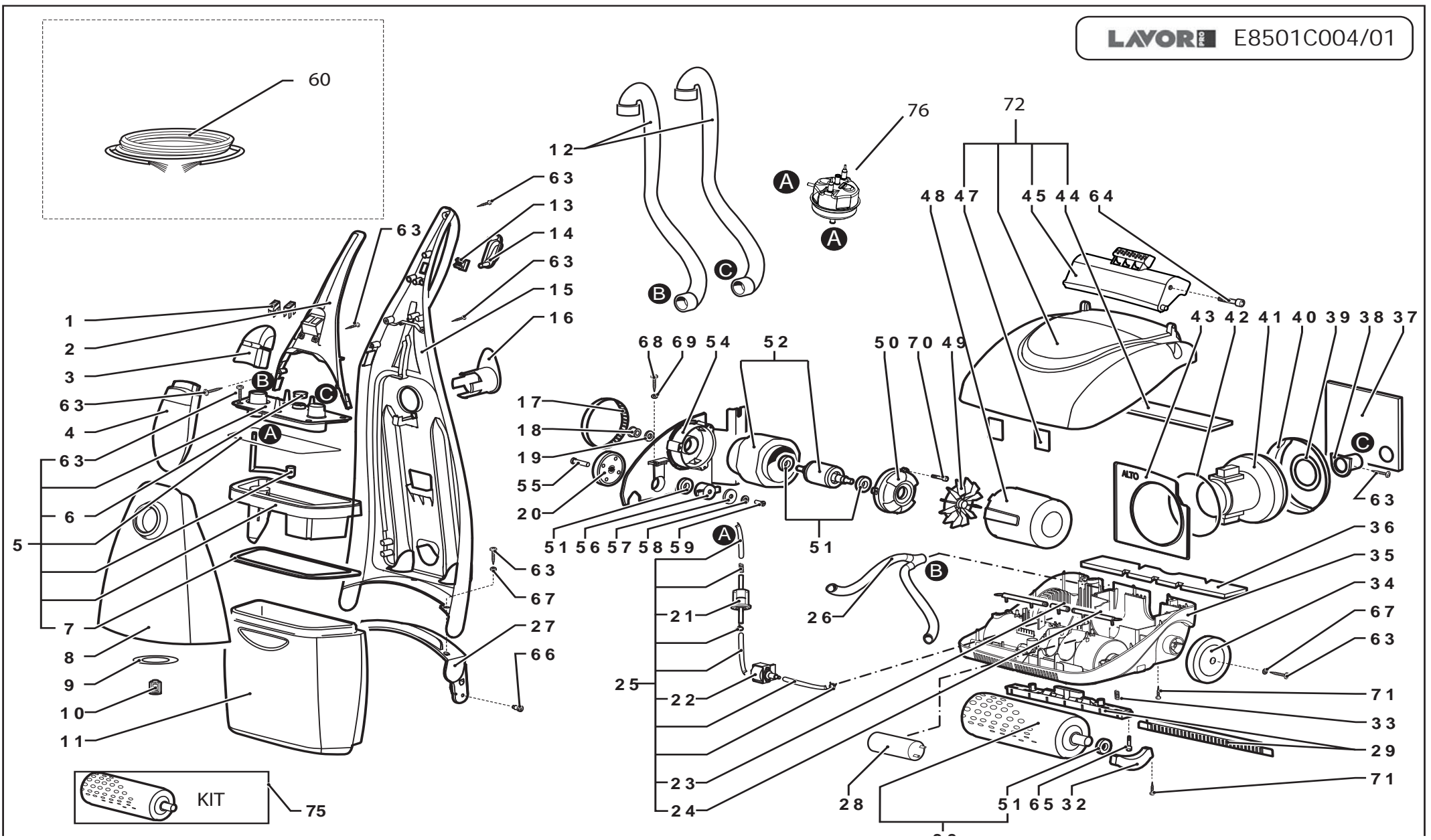
FLOOR SCRUBBER DRIER CRYSTAL CLEAN 230V/50HZ LAVOR PRO

Content filters: validity 18/09/2017

18/09/2017

8.501.0508 - FLOOR SCRUBBER DRIER CRYSTAL CLEAN 230V/50HZ LAVOR PRO..... 3
R85010508-1 - STRUCTURE..... 4
Components index..... 8

Pos.	Code	Description
0	R85010508-1	STRUCTURE



FLOOR SCRUBBER DRIER CRYSTAL CLEAN 230V/50HZ LAVOR PRO - Content filters: validity 18/09/2017

Pos.	Code	Substituted by	Q.ty	Purchasable	Min. Q.ty	Price €	For mainten.	Description
001	5.009.0482		2	Yes	2	11.27	EXT	SWITCH + PROTECTION COVER ASSEMBLY
002	4.508.0012		1	Yes	1	24.82		UPPER COVER HANDLE GREY RAL 7043B
003	4.508.1474		1	Yes	4	3.76		SWITCH ON/OFF COVER (RED)
004	4.508.1473		1	Yes	3	5		TANK CAP (RED)
005	5.509.1838		1	Yes	1	44.1		ASSEMBLY FOR FILTER (RED) BY-PASS D.10
006	4.508.0026	6.505.0041	1	Yes	3	5.05		VALVE RUBBER GASKET NR-EPDM 55SH MW
007	4.508.0029		1	Yes	5	3.04		FILTER GASKET 10X12 L=700
008	5.509.0415		1	Yes	1	36.15		GREY SOLUTION TANK WITH WASHER AND GASKET
009	4.508.0046	6.505.0041	1	Yes	3	5.05		SOLUTION TANK GASKET DIAM. 46X18 SP.2 MW
010	5.509.0013	6.505.0041	1	Yes	3	5.05		VALVE FOR TANK MW
011	4.508.0459		1	Yes	1	42.9		BLACK WATER TANK (GREY)
012	5.509.0008		2	Yes	1	23.65	EXT	ASSY FLEXIBLE HOSE L.800 MW
013	3.401.0181		1	Yes	4	3.93	EXT	SWITCH FOR CHEMICAL/WATER
014	4.508.0021		1	Yes	6	2.58		SOLUTION ACTUATOR GREY RAL 7043B
015	4.508.1476		1	Yes	1	57.89		REAR HANDLE COVER (GREY)
016	4.508.0023		1	Yes	6	2.83		CABLE HOLDER MW GREY RAL 7043B
017	3.099.0278		1	Yes	1	23.66	EXT	BELT 336 RPP3-12
018	4.507.0001		1	Yes	3	5.41		PULLEY Z20 MW
019	4.506.0001		1	Yes	6	2.55		WASHER
020	4.508.0042		1	Yes	2	9.01		PULLEY FOR BRUSH
021	3.102.0003		1	Yes	4	5.74	EXT	DIESEL FUEL FILTER TP3
022	3.551.0019	3.551.0032	1	Yes	1	36.36		SOLUTION PUMP 230-240V - 50Hz
023	4.508.0034		1	Yes	4	4.12		DISPENSER CONNECTION
024	4.508.0033		2	Yes	4	4.12		SOLUTION DISPENSER
025	5.509.0009	5.509.1226	1	Yes	1	62.6		DIFFUSER ASSY+230V PUMP+ FILTER+SOLUTION HOSE
026	5.509.0012		1	Yes	1	23.65		JOINT ASSY Y+FLEX HOSES MW.
027	4.505.0003		1	Yes	1	23.66		HANDLE SUPPORT
028	3.404.0053		1	Yes	3	6.22	EXT	CAPACITOR 8mF D.35X57 F/M
029	5.509.0010		2	Yes	2	11.85		SQUEEGEE + SUPPORT ASSEMBLY
030	5.509.0002		1	Yes	2	12.33		BRUSH + BEARING ASSEMBLY
032	4.508.0001		1	Yes	4	4.79		U BUSH LOCKING

FLOOR SCRUBBER DRIER CRYSTAL CLEAN 230V/50HZ LAVOR PRO - Content filters: validity 18/09/2017



R85010508-1 - STRUCTURE

Validity: from 01/09/2010 to 01/01/3000

18/09/2017

Page 5 / 8

Pos.	Code	Substituted by	Q.ty	Purchasable	Min. Q.ty	Price €	For mainten.	Description
033	4.507.0004		4	Yes	6	2.55		SQUEEGEE SUPPORT SPRING
034	4.508.0007		2	Yes	2	12.41		WHEEL D.100
035	5.509.1822		1	Yes	1	65		ASSIEME CAREN.INF.MW TERMORES. NERO C/ISOL.ACUST./SEDE CALDAIA
036	4.508.0027		1	Yes	4	4.79		ACOUSTIC PANEL
037	4.508.0030		1	Yes	5	3.4		EXHAUST AIR FILTER
038	4.508.0009		1	Yes	2	12.41		AIR INTAKE PORTION
039	4.508.0032		1	Yes	4	4.12		AIR INTAKE SEAL
040	4.508.0031		1	Yes	6	2.58		NON SIMMETRIC RING
041	3.755.0010	6.505.0040	1	Yes	1	57.95	EXT	SUCTION MOTOR 230V/50-60Hz 800W
042	3.200.0092		1	Yes	12	1.28		OR 139,37x2,62 NBR SH 70
043	4.507.0002		1	Yes	2	7.5		SUCTION MOTOR SUPPORT
044	4.508.0028		1	Yes	3	5.1		UPPER ACOUSTIC PANEL
045	4.508.0004		1	Yes	1	24.82	EXT	PEDAL GREY RAL 7043B
047	4.508.0036		2	Yes	5	3.71		ADHESIVE GASKET
048	4.508.0003		1	Yes	3	5.36		TRACTION MOTOR AIR CONVEYOR
049	3.099.0277		1	Yes	12	1.28		FAN FOR TRACTION MOTOR
050	4.505.0002		1	Yes	2	10		FLANGE FOR MOTOR
051	3.001.0032		4	Yes	4	3.93		BEARING 6002 2RS1
052	6.505.0003		1	Yes	1	106.25		KIT STATOR + ROTOR + SHAFT LWS
054	4.505.0001		1	Yes	1	23.66		MOTOR SUPPORT
055	4.506.0004		1	Yes	4	4.85		SUPPORT FOR PULLEY
056	4.508.0041		1	Yes	12	1.29		BRUSH TRACTOR
057	3.004.0007		1	Yes	12	1.28		PLAIN WASHER D.6X18X2 UNI6593
058	3.004.0035		1	Yes	12	1.28		WASHER GROWER D.6 UNI1751 ZNT
059	3.002.0150		1	Yes	12	1.28		SCREW M6X35 UNI 5931
060	4.012.0268		1	Yes	1	56.87	EXT	MAIN POWER CABLE 3X1,5 MT.10 SCHUKO PLUG
063	3.002.0106		15	Yes	12	1.28		SELF TAPPING CROSS HEAD SCREW3.9X16
064	3.002.0068		2	Yes	12	1.28		SCREW TCEI M6X12 UNI 5931 ZNT
065	4.506.0003		4	Yes	3	5.92		SCREW M3
066	4.506.0002		2	Yes	5	3.01		SCREW M6
067	3.004.0026		4	Yes	12	1.28		PLAIN WASHER D.4.3X12 UNI6593

FLOOR SCRUBBER DRIER CRYSTAL CLEAN 230V/50HZ LAVOR PRO - Content filters: validity 18/09/2017



R85010508-1 - STRUCTURE

Validity: from 01/09/2010 to 01/01/3000

18/09/2017

Page 6 / 8

Pos.	Code	Substituted by	Q.ty	Purchasable	Min. Q.ty	Price €	For mainten.	Description
068	3.002.0028		1	Yes	6	2.55		SCREW TC-TC M4X12 UNI 7687 ZNT
069	3.004.0003		1	Yes	12	1.28		WASHER D.4X8 DIN6798 ZNT
070	3.002.0182		3	Yes	12	1.28		TCEI SCREW M4X55 UNI ZNT
071	3.002.0127		7	Yes	12	1.28		SCREW TC CROSS CUT M5X35 SWAGEFORM ZNT
072	5.509.1836		1	Yes	1	82.65		ASSEMBLY UPPER COVER (RED)
075	5.509.0394		1	Yes	1	52.3		CARPET BRUSH + BEARING ASSEMBLY
076	3.099.1558		1	Yes	1	103.99		BOILER 1500W

Code	Parts Table	Pos.	Q.ty
3.001.0032	R85010508-1	051	4
3.002.0028	R85010508-1	068	1
3.002.0068	R85010508-1	064	2
3.002.0106	R85010508-1	063	15
3.002.0127	R85010508-1	071	7
3.002.0150	R85010508-1	059	1
3.002.0182	R85010508-1	070	3
3.004.0003	R85010508-1	069	1
3.004.0007	R85010508-1	057	1
3.004.0026	R85010508-1	067	4
3.004.0035	R85010508-1	058	1
3.099.0277	R85010508-1	049	1
3.099.0278	R85010508-1	017	1
3.099.1558	R85010508-1	076	1
3.102.0003	R85010508-1	021	1
3.200.0092	R85010508-1	042	1
3.401.0181	R85010508-1	013	1
3.404.0053	R85010508-1	028	1
3.551.0019	R85010508-1	022	1
3.755.0010	R85010508-1	041	1
4.012.0268	R85010508-1	060	1
4.505.0001	R85010508-1	054	1
4.505.0002	R85010508-1	050	1
4.505.0003	R85010508-1	027	1
4.506.0001	R85010508-1	019	1
4.506.0002	R85010508-1	066	2
4.506.0003	R85010508-1	065	4
4.506.0004	R85010508-1	055	1
4.507.0001	R85010508-1	018	1
4.507.0002	R85010508-1	043	1
4.507.0004	R85010508-1	033	4

Code	Parts Table	Pos.	Q.ty
4.508.0001	R85010508-1	032	1
4.508.0003	R85010508-1	048	1
4.508.0004	R85010508-1	045	1
4.508.0007	R85010508-1	034	2
4.508.0009	R85010508-1	038	1
4.508.0012	R85010508-1	002	1
4.508.0021	R85010508-1	014	1
4.508.0023	R85010508-1	016	1
4.508.0026	R85010508-1	006	1
4.508.0027	R85010508-1	036	1
4.508.0028	R85010508-1	044	1
4.508.0029	R85010508-1	007	1
4.508.0030	R85010508-1	037	1
4.508.0031	R85010508-1	040	1
4.508.0032	R85010508-1	039	1
4.508.0033	R85010508-1	024	2
4.508.0034	R85010508-1	023	1
4.508.0036	R85010508-1	047	2
4.508.0041	R85010508-1	056	1
4.508.0042	R85010508-1	020	1
4.508.0046	R85010508-1	009	1
4.508.0459	R85010508-1	011	1
4.508.1473	R85010508-1	004	1
4.508.1474	R85010508-1	003	1
4.508.1476	R85010508-1	015	1
5.009.0482	R85010508-1	001	2
5.509.0002	R85010508-1	030	1
5.509.0008	R85010508-1	012	2
5.509.0009	R85010508-1	025	1
5.509.0010	R85010508-1	029	2
5.509.0012	R85010508-1	026	1

Code	Parts Table	Pos.	Q.ty
5.509.0013	R85010508-1	010	1
5.509.0394	R85010508-1	075	1
5.509.0415	R85010508-1	008	1
5.509.1822	R85010508-1	035	1
5.509.1836	R85010508-1	072	1
5.509.1838	R85010508-1	005	1
6.505.0003	R85010508-1	052	1