



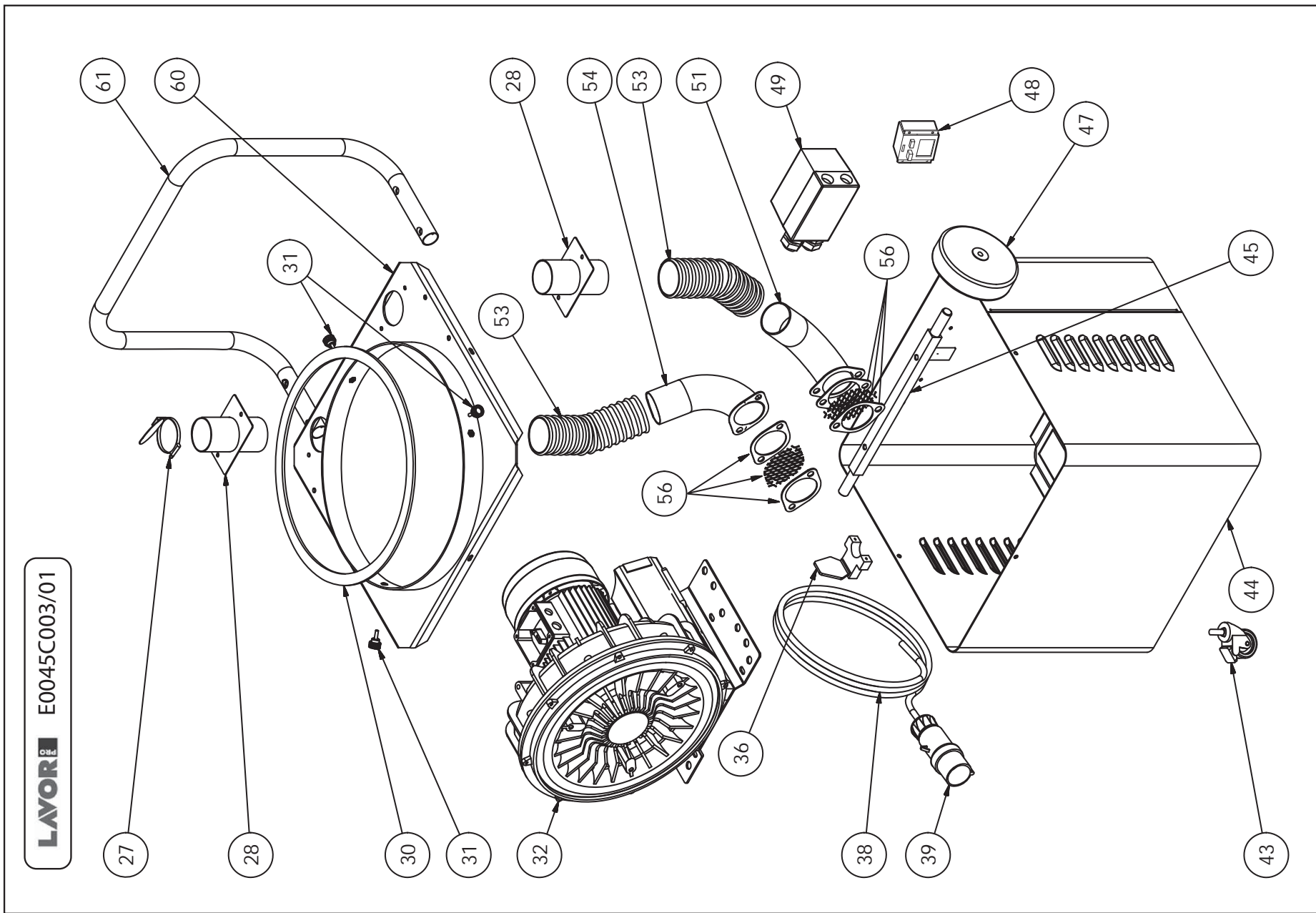
VACUUM CLEANER DTX80 1-30 400V/50Hz LAVOR PRO

Content filters: validity 14/09/2017

14/09/2017

0.045.0032 - VACUUM CLEANER DTX80 1-30 400V/50Hz LAVOR PRO.....	3
R00450032-1 - CHASSIS.....	4
R0045A003-1 - AIR SYSTEM.....	6
Components index.....	8

Pos.	Code	Description
0	R00450032-1	CHASSIS
0	R0045A003-1	AIR SYSTEM



LAVOR E0045C003/01

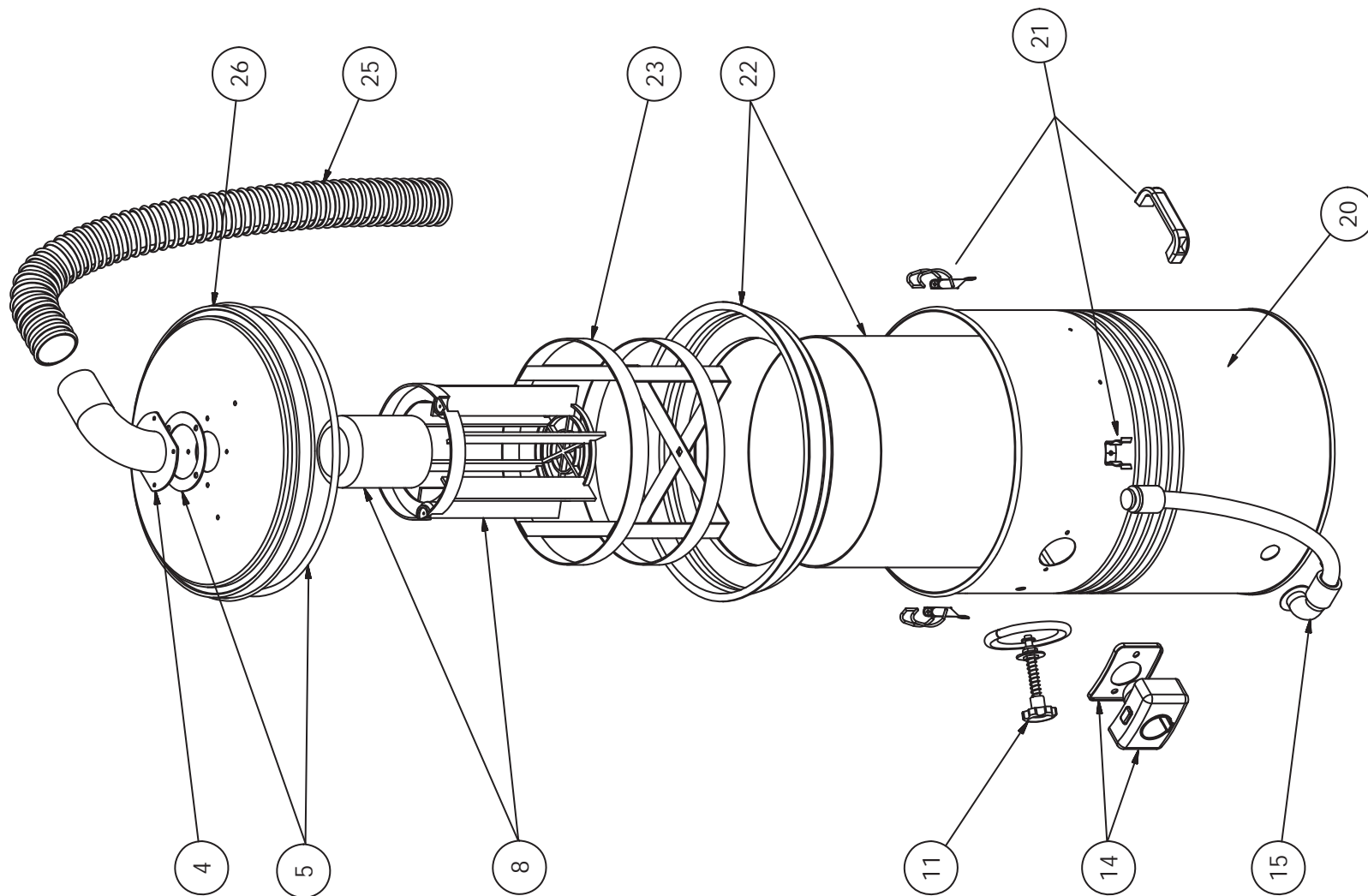
VACUUM CLEANER DTX80 1-30 400V/50Hz LAVOR PRO - Content filters: validity 14/09/2017

R00450032-1 - CHASSIS

Validity: from 26/01/2011 to 01/01/3000

Pos.	Code	Substituted by	Q.ty	Purchasable	Min. Q.ty	Price €	For mainten.	Description
027	0.945.0012		1	Yes	1			COMPLETE FLAP
028	0.945.0013		1	Yes	1			CONNECTION
030	0.945.0014		1	Yes	1			GASKET 20x10
031	0.945.0015		3	Yes	1			KNOB M8x20
032	0.945.0032		1	Yes	1	1772.56		THREE FASE MOTOR 4HP
036	0.945.0017		1	Yes	1			ELECTRIC CABLE HOLDER
038	0.945.0033		1	Yes	1			MAIN POWER CABLE NPI07W-F4x1,5(1MT)
039	0.945.0019		1	Yes	1			PLUG IP44 2PT 16A
043	0.945.0020		2	Yes	1			ROTATING WHEEL D.80 WITH BRAKE
044	0.945.0021		1	Yes	1			MOTOR CHASSIS
045	0.945.0022		1	Yes	1			AXLE
047	0.945.0023		2	Yes	1			WHEEL D.200
048	0.945.0024		1	Yes	1	183.14		MAIN POWER SWITCH 10-16A
049	0.945.0025		1	Yes	1	38.66		MAIN POWER SWITCH BOX
051	0.945.0026		1	Yes	1			CURVE CONNECTION FOR MOTOR (INLET)
053	0.945.0027		1	Yes	1			FLEX HOSE D.60 (0,4MT)
054	0.945.0028		1	Yes	1			CURVE CONNECTION FOR MOTOR (OUTLET)
056	0.945.0029		2	Yes	1			GASKET+WIRE NETTING
060	0.945.0030		1	Yes	1			COVER FOR CHASSIS MOTOR
061	0.945.0031		1	Yes	1			HANDLE

LAVOR PRO E0045A003/01



Pos.	Code	Substituted by	Q.ty	Purchasable	Min. Q.ty	Price €	For mainten.	Description
004	0.945.0001		1	Yes	1	192.27		CURVE CONNECTION
005	0.945.0034		1	Yes	1			GASKET D. 6mm (1mt)
008	0.945.0003		1	Yes	1	97.92		BASKET WITH FLOATING
011	0.945.0005		1	Yes	1	132.4		FILTER SHAKER
014	0.945.0006		1	Yes	1	26.27		OPENING D.50 + GASKET
015	0.945.0007		1	Yes	1	117.71		COMPLETE DRAINING PIPE
020	0.945.0008		1	Yes	1	340.43		TANK
021	0.945.0004		1	Yes	1	61.2		HOOKS+CLIP+HANDLES SET
022	5.509.0039		1	Yes	1	23.65		FILTER
023	0.945.0009		1	Yes	1	151.32		FILTER SHAKER BASKET
025	0.945.0010		1	Yes	1	126.07		HOSE D.60 0,9MT
026	0.945.0011		1	Yes	1	356.18		TANK COVER

Code	Parts Table	Pos.	Q.ty
0.945.0001	R0045A003-1	004	1
0.945.0003	R0045A003-1	008	1
0.945.0004	R0045A003-1	021	1
0.945.0005	R0045A003-1	011	1
0.945.0006	R0045A003-1	014	1
0.945.0007	R0045A003-1	015	1
0.945.0008	R0045A003-1	020	1
0.945.0009	R0045A003-1	023	1
0.945.0010	R0045A003-1	025	1
0.945.0011	R0045A003-1	026	1
0.945.0012	R00450032-1	027	1
0.945.0013	R00450032-1	028	1
0.945.0014	R00450032-1	030	1
0.945.0015	R00450032-1	031	3
0.945.0017	R00450032-1	036	1
0.945.0019	R00450032-1	039	1
0.945.0020	R00450032-1	043	2
0.945.0021	R00450032-1	044	1
0.945.0022	R00450032-1	045	1
0.945.0023	R00450032-1	047	2
0.945.0024	R00450032-1	048	1
0.945.0025	R00450032-1	049	1
0.945.0026	R00450032-1	051	1
0.945.0027	R00450032-1	053	1
0.945.0028	R00450032-1	054	1
0.945.0029	R00450032-1	056	2
0.945.0030	R00450032-1	060	1
0.945.0031	R00450032-1	061	1
0.945.0032	R00450032-1	032	1
0.945.0033	R00450032-1	038	1
0.945.0034	R0045A003-1	005	1

Code	Parts Table	Pos.	Q.ty
5.509.0039	R0045A003-1	022	1